



Matthew G. Bevin
Governor

COMMONWEALTH OF KENTUCKY
TRANSPORTATION CABINET
Frankfort, Kentucky 40622
www.transportation.ky.gov/

Greg Thomas
Secretary

May 23, 2018

CALL NO. 200
CONTRACT ID NO. 181013
ADDENDUM # 2

Subject: WARREN-BUTLER COUNTY, 121GR18D013-NHPP
Letting May 25, 2018

- (1) Revised - General Summary- Pages 29 and 31 of 764
- (2) Revised - General Tabulation Sheet- Pages 35-36 of 764
- (3) Revised - Paving Summary- Page 43 of 764
- (4) Revised - Structure Summary- Page 49 of 764
- (5) Revised - General Tabulation Sheet- Page 246 of 764
- (6) Revised - Title Sheet S1- Page 478 of 764
- (7) Revised - Layout Sheet S3- Page 481 of 764
- (8) Revised - Superstructure Plan S14 - Page 492 of 764
- (9) Added - Eliminate Transverse Joint Sheet S20 -
Page 497(a) of 764
- (10) Revised - Material Summary- Pages 708-715 of 764
- (11) Revised - Proposal Bid Items- Pages 757-764(a) of 764

Proposal revisions are available at <http://transportation.ky.gov/Construction-Procurement/>.

If you have any questions, please contact us at 502-564-3500.

Sincerely,

A handwritten signature in cursive script that reads "Rachel Mills".

Rachel Mills, P.E.
Director
Division of Construction Procurement

RM:mr
Enclosures



An Equal Opportunity Employer M/F/D

I-165 CONVERSION
KYTC - DISTRICT 3
MP 2.079 TO MP 37.2
ITEM NO. 3-2042

DISTRICT 3 GENERAL SUMMARY

ITEM NUMBER	ITEM	UNIT	WARREN COUNTY				BUTLER COUNTY				DISTRICT 3 TOTAL			
			WARREN CORRIDOR	EXIT 6	EXIT 7	WARREN SUBTOTAL	BUTLER CORRIDOR	REHAB MP 34.8-37.1	EXIT 28	EXIT 29		BUTLER SUBTOTAL		
00078	CRUSHED AGGREGATE SIZE NO 2	TON		8	2	10				30			30	40
00212	CL2 ASPH BASE 1.00D PG64-22	TON		293	293	586				381			381	967
00461	CULVERT PIPE-15 IN	LF		7	22	29								29
00462	CULVERT PIPE-18 IN	LF		121	6	127								127
00521	STORM SEWER PIPE-15 IN	LF		9		9								9
00522	STORM SEWER PIPE-18 IN	LF							45				45	45
01000	PERFORATED PIPE-4 IN	LF		2150	300	2450								2450
01005	PERFORATED PIPE EDGE DRAIN-4 IN	LF								49146			49146	49146
01010	NON-PERFORATED PIPE-4 IN	LF		48	24	72				1566			1566	1638
01015	INSPECT & CERTIFY EDGE DRAINS	LS											1	1
01020	PERF PIPE HEADWALL TY 1-4 IN	EACH		4		4								4
01028	PERF PIPE HEADWALL TY 3-4 IN	EACH		4	2	6				200			200	206
01202	PIPE CULVERT HEADWALL-15 IN	EACH		1	1	2								2
01204	PIPE CULVERT HEADWALL-18 IN	EACH		1		1								1
01208	PIPE CULVERT HEADWALL-24 IN	EACH		1		1								1
01310	REMOVE PIPE	LF		18	6	24				2400		1	2401	2425
01371	METAL END SECTION TY1-18IN	EACH								2			2	2
01381	METAL END SECTION TY2-18IN	EACH								1			1	1
01450	S & F BOX INLET-OUTLET-18 IN	EACH		5	1	6						1	1	7
01480	CURB BOX INLET TYPE B	EACH		1		1				1			1	2
01541	DROP BOX INLET TYPE 10	EACH		1		1								1
01559	DROP BOX INLET TYPE 13G	EACH										1	1	1
01584	CAP DROP BOX INLET	EACH		1		1								1
01690	FLUME INLET TYPE 1	EACH	3	1		4				3			6	10
01691	FLUME INLET TYPE 2	EACH	7			7				10			19	26
01718	REMOVE INLET	EACH										1	13	13
01740	CORED HOLE DRAINAGE BOX CON-4 IN	EACH										4	4	4
01890	ISLAND HEADER CURB TYPE 1	LF	150	300	150	600				300		75	600	1200
01904	REMOVE CURB	LF											7055	7055
01982	DELINEATOR FOR GUARDRAIL M/W	EACH	356	90	82	528				490		113	904	1432
01983	DELINEATOR FOR GUARDRAIL M/Y	EACH	2	20	10	32				10			58	90
01984	DELINEATOR FOR BARRIER - WHITE	EACH	16	71	69	156				16		30	114	270
01985	DELINEATOR FOR BARRIER - YELLOW	EACH	6	26	24	56				6			74	130
02003	RELOCATE TEMP COINC BARRIER	LF		3520	6520	10040				3360		2920	6280	16320
02014	BARRICADE-TYPE III	EACH	8	2		10				2		2	6	16
02107	BREAKING AND SEATING	SOYD								70934			70934	70934
02159	TEMP DITCH	LF	5543	1905	1935	9383				5680		1125	12260	21643
02160	CLEAN TEMP DITCH	LF	2771	953	968	4692				2840		563	6131	10823
02165	REMOVE PAVED DITCH	SOYD	2533	13164	544	16241				2192		1689	2219	2219
02200	ROADWAY EXCAVATION	CUYD	100			100				100			5366	21607
02223	GRANULAR EMBANKMENT	CUYD				9645				18662		1146	20108	29753
02230	EMBANKMENT IN PLACE	CUYD		4927	4718	9645				13300		4740	18040	18040
02237	DITCHING	LF								2000			2000	4000
02242	WATER	MGAL	2000			2000							1175	1175
02352	GUARDRAIL-STEEL W BEAM-D FACE	LF											15	15
02363	GUARDRAIL CONNECTOR TO BRIDGE END TY A	EACH	4	8	4	16				8		2	15	31
02365	CRASH CUSHION TYPE IX-A	EACH		4	2	6				3			3	9

I-165 CONVERSION
KYTC - DISTRICT 3
MP 2.079 TO MP 37.2
ITEM NO. 3-2042

DISTRICT 3 GENERAL SUMMARY

ITEM NUMBER	ITEM	UNIT	WARREN COUNTY				BUTLER COUNTY				DISTRICT 3 TOTAL	
			WARREN CORRIDOR	EXIT 6	EXIT 7	WARREN SUBTOTAL	BUTLER CORRIDOR	REHAB MP 34.8-37.1	EXIT 28	EXIT 29		BUTLER SUBTOTAL
04820	TRENCHING AND BACKFILLING	LF	7795			7795	515				515	8310
04833	WIRE-NO. 8	LF					1030				1030	1030
04834	WIRE-NO. 6	LF	15820			15820						15820
05950	EROSION CONTROL BLANKET	SQYD	14126	24280	18441	56847	16941	10325	6947	716	34929	91776
05952	TEMP MULCH	SQYD	9417	16187	12294	37898	11294	6884	4631	477	23286	61184
05953	TEMP SEEDING AND PROTECTION	SQYD	7063	12140	9221	28424	8471	5163	3473	358	17465	45889
05963	INITIAL FERTILIZER	TON	1.5	2.6	2	6.1	1.8	1.1	0.8	0.1	3.8	9.9
05964	20-10-10 FERTILIZER	TON	0.9	1.3	1	3.2	1	0.6	0.4	0.1	2.1	5.3
05985	SEEDING AND PROTECTION	SQYD						41701	6947		48648	48648
05992	AGRICULTURAL LIMESTONE	TON	9	16	12	37	11	6	5	1	23	60
06401	FLEXIBLE DELINEATOR POST-M/W	EACH						33	7		40	40
06404	FLEXIBLE DELINEATOR POST-M/Y	EACH						28	4		32	32
06511	PAVE STRIPING-TEMP PAINT-6 IN	LF	2000			2000		152000			152000	154000
06514	PAVE STRIPING-PERM PAINT-4 IN	LF		874	585	1459						1459
06517	PAVE STRIPING-PERM PAINT-12 IN	LF		1214	1302	2516			999	455	1454	3970
06542	PAVE STRIPING-THERMO-6 IN W	LF	6700	6872	7938	21510	15928	32838	5515		54281	75791
06543	PAVE STRIPING-THERMO-6 IN Y	LF		2815	3533	6348		26501	2079		28580	34928
06546	PAVE STRIPING-THERMO-12 IN W	LF							999		999	999
06549	PAVE STRIPING-TEMP REM TAPE-B	LF	3300	1320	880	5500	2860	1540	440		4840	10340
06550	PAVE STRIPING-TEMP REM TAPE-W	LF	15800	23000	16600	55400	15800	14000	7000	500	37300	92700
06551	PAVE STRIPING-TEMP REM TAPE-Y	LF	12600	6400	3200	22200	10200	9000			19200	41400
06568	PAVE MARKING-THERMO STOP BAR-24IN	LF		40	56	96						96
08002	STRUCTURE EXCAV-SOLID ROCK	CUYD	5211			5211	8726				8726	13937
08903	CRASH CUSHION TY VI CLASS BT TL3	EACH	1	2	2	5	1	2			3	8
40024	ASPHALT PAVEMENT REMOVAL	SQYD						3334			3334	3334
10020NS	FUEL ADJUSTMENT	DOLL		4779	4576	9355		90711	3961		94672	104027
10030NS	ASPHALT ADJUSTMENT	DOLL		20497	21368	41865		220388	8554		228942	270807
20071EC	JOINT ADHESIVE	LF		3999	3407	7406		48044	2200	460	50704	58110
20366NN	REPLACE GRATE	EACH						2			2	2
20418ED	REMOVE & RELOCATE SIGNS	EACH							13		13	13
20597EC	DITCH EXCAVATION	CUYD							101		101	101
20391NS835	ELECTRICAL JUNCTION BOX TYPE A	EACH	11			11	1				1	12
20410ED	MAINTAIN LIGHTING	LS	3			3	1				1	4
20411ED	LAW ENFORCEMENT OFFICER	HOUR	1280			1280	1280				1280	2560
20432ES112	REMOVE CRASH CUSHION	EACH						4			4	4
20904ED	RECONSTRUCT CURB BOX INLET	EACH		4	2	6						6
21289ED	LONGITUDINAL EDGE KEY	LF								2275	2275	2275
21802EN	G/R STEEL W BEAM-S FACE (7 FT POST)	LF	237.5	4963	4325	9525.0	1100	14950	187.5		16237.5	25762.5
22883EN	CONCRETE WEDGE CURB	LF	10084	1000		11084	7930	7055			14985	26069
23011EN	CORRIGATED PIPE-18IN	LF						450			450	450
23148EN	END ANCHORS	EACH						3			3	3
23496EC	REMOVE MEDIAN TURN-AROUND (MP 3.6)	EACH	1			1						1
23496EC	REMOVE MEDIAN TURN-AROUND (MP 35.4)	EACH						1			1	1
24096EC	REMOVE AND RESET END TREATMENT	EACH	10	1		11	18		7		25	36
24489EC	INLAID PAVEMENT MARKER	EACH						330	48		378	378
24589ED	LED LUMINAIRE	EACH	291			291	31				31	322
24605ED	RELOCATE MEDIAN TURN-AROUND (MP 9.9)	EACH	1			1						1
24605ED	RELOCATE MEDIAN TURN-AROUND (MP 14.8)	EACH	1			1						1

I-165 CONVERSION
KYTC - DISTRICT 3
MP 2.079 TO MP 37.2
ITEM NO. 3-2042

BUTLER COUNTY CORRIDOR GENERAL TABULATION

ITEM CODE	ITEM	UNIT	TOTAL PROJECT	NOTES
01690	FLUME INLET TYPE 1	EACH	3	FROM WEDGE CURB TABULATION
01691	FLUME INLET TYPE 2	EACH	10	FROM WEDGE CURB TABULATION
01890	ISLAND HEADER CURB TYPE 1	LF	300	
01982	DELINEATOR FOR GUARDRAIL M/W	EACH	490	FROM GUARDRAIL TABULATION
01983	DELINEATOR FOR GUARDRAIL M/Y	EACH	10	FROM GUARDRAIL TABULATION
01984	DELINEATOR FOR BARRIER - WHITE	EACH	16	FROM MOT TABULATION
01985	DELINEATOR FOR BARRIER - YELLOW	EACH	6	FROM MOT TABULATION
02014	BARRICADE-TYPE III	EACH	2	FROM MOT TABULATION
02159	TEMP DITCH	LF	5680	FROM EROS CTRL TABULATION
02160	CLEAN TEMP DITCH	LF	2840	FROM EROS CTRL TABULATION
02200	ROADWAY EXCAVATION	CUYD	2192	
02223	GRANULAR EMBANKMENT	CUYD	100	
02230	EMBANKMENT IN PLACE	CUYD	18662	
02242	WATER	MGAL	2000	
02363	GUARDRAIL CONNECTOR TO BRIDGE END TY A	EACH	8	FROM GUARDRAIL TABULATION
02367	GUARDRAIL END TREATMENT TYPE 1	EACH	3	FROM GUARDRAIL TABULATION
02369	GUARDRAIL END TREATMENT TYPE 2A	EACH	27	FROM GUARDRAIL TABULATION
02381	REMOVE GUARDRAIL	LF	150.0	FROM GUARDRAIL TABULATION
02383	REMOVE & RESET GUARDRAIL	LF	23262.5	FROM GUARDRAIL TABULATION
02387	GUARDRAIL CONNECTOR TO BRIDGE END TY A-1	EACH	3	FROM GUARDRAIL TABULATION
02469	CLEAN SINKHOLE	EACH	2	
02545	CLEARING AND GRUBBING	LS	1	2 ACRES - (2) ROCK FALL LOCATIONS
02562	TEMPORARY SIGNS	SQFT	872	FROM MOT TABULATION
02565	OBJECT MARKER TYPE 2	EACH	10	
02596	FABRIC-GEOTEXTILE TYPE I	SQYD	375	
02599	FABRIC-GEOTEXTILE TYPE IV	SQYD	200	
02650	MAINTAIN & CONTROL TRAFFIC	LS	1	FROM MOT TABULATION
02671	PORTABLE CHANGEABLE MESSAGE SIGN	EACH	3	FROM MOT TABULATION
02676	MOBILIZATION FOR MILL & TEXT	LS	1	FOR PATCHING AND EXIT 28 TAPERS
02701	TEMP SILT FENCE	LF	5680	FROM EROS CTRL TABULATION
02703	SILT TRAP TYPE A	EACH	4	FROM EROS CTRL TABULATION
02704	SILT TRAP TYPE B	EACH	4	FROM EROS CTRL TABULATION
02705	SILT TRAP TYPE C	EACH	4	FROM EROS CTRL TABULATION
02706	CLEAN SILT TRAP TYPE A	EACH	4	FROM EROS CTRL TABULATION
02707	CLEAN SILT TRAP TYPE B	EACH	4	FROM EROS CTRL TABULATION
02708	CLEAN SILT TRAP TYPE C	EACH	4	FROM EROS CTRL TABULATION
02775	ARROW PANEL	EACH	3	FROM MOT TABULATION
02898	RELOCATE CRASH CUSHION	EACH	4	FROM GUARDRAIL & MOT TABULATION
03171	CONCRETE BARRIER WALL TYPE 9T	LF	940	FROM MOT TABULATION
04701	POLE 40 FT MTG HT	EACH	1	FROM LIGHTING SUMMARY
04725	BRACKET 15 FT	EACH	1	FROM LIGHTING SUMMARY
04740	POLE BASE	EACH	1	FROM LIGHTING SUMMARY
04750	TRANSFORMER BASE	EACH	1	FROM LIGHTING SUMMARY
04793	CONDUIT-1 1/4 IN	LF	515	FROM LIGHTING SUMMARY
04820	TRENCHING AND BACKFILLING	LF	515	FROM LIGHTING SUMMARY
04833	WIRE-NO. 8	LF	1030	FROM LIGHTING SUMMARY
05950	EROSION CONTROL BLANKET	SQYD	16941	FROM EROS CTRL TABULATION
05952	TEMP MULCH	SQYD	11294	FROM EROS CTRL TABULATION
05953	TEMP SEEDING AND PROTECTION	SQYD	8471	FROM EROS CTRL TABULATION
05963	INITIAL FERTILIZER	TON	1.8	FROM EROS CTRL TABULATION
05964	20-10-10 FERTILIZER	TON	1.0	FROM EROS CTRL TABULATION
05992	AGRICULTURAL LIMESTONE	TON	11	FROM EROS CTRL TABULATION

**I-165 CONVERSION
KYTC - DISTRICT 3
MP 2.079 TO MP 37.2
ITEM NO. 3-2042**

BUTLER COUNTY CORRIDOR GENERAL TABULATION

06542	PAVE STRIPING-THERMO-6 IN W	LF	15928	ADDED 10,628 FOR PATCHING ADDENDUM
06549	PAVE STRIPING-TEMP REM TAPE-B	LF	2860	FROM MOT TABULATION
06550	PAVE STRIPING-TEMP REM TAPE-W	LF	15800	FROM MOT TABULATION
06551	PAVE STRIPING-TEMP REM TAPE-Y	LF	10200	FROM MOT TABULATION
08002	STRUCTURE EXCAV-SOLID ROCK	CUYD	8726	
08903	CRASH CUSHION TY VI CLASS BT TL3	EACH	1	FROM MOT TABULATION
20391NS835	ELECTRICAL JUNCTION BOX TYPE A	EACH	1	FROM LIGHTING SUMMARY
20410ED	MAINTAIN LIGHTING	LS	1	FROM LIGHTING SUMMARY
20411ED	LAW ENFORCEMENT OFFICER	HOUR	1280	FROM MOT TABULATION
21802EN	G/R STEEL W BEAM-S FACE (7 FT POST)	LF	1100.0	FROM GUARDRAIL TABULATION
22883EN	CONCRETE WEDGE CURB	LF	7930	FROM WEDGE CURB TABULATION
24096EC	REMOVE AND RESET END TREATMENT	EACH	18	FROM GUARDRAIL TABULATION
24589ED	LED LUMINAIRE	EACH	31	FROM LIGHTING SUMMARY

I-165 CONVERSION
KYTC - DISTRICT 3
WARREN AND BUTLER COUNTIES
MP 2.079 TO MP 37.2
ITEM NO. 3-2042

PAVING SUMMARY

PAVING AREAS

ITEM	UNIT	WARREN COUNTY				BUTLER COUNTY				DISTRICT 3 TOTAL AREA (SY)	
		WARREN CORRIDOR	EXIT 6	EXIT 7	WARREN SUBTOTAL	BUTLER CORRIDOR	REHAB MP 34.7	EXIT 28	EXIT 29		BUTLER SUBTOTAL
1.50" CL3 ASPH SURF 0.50A PG76-22	SQYD	67	4729	5183	9879	3511	71217	3897	1780	80405	90384
1.50" CL3 ASPH SURF 0.50A PG64-22	SQYD								1780	1780	1780
1.50" CL2 ASPH SURF 0.50D PG64-22	SQYD	357	2037	1972	4366	636	40506	876		42018	46384
3.00" CL3 ASPH BASE 1.00D PG76-22	SQYD	67	4729	5183	9979	67		1218		1285	11264
3.00" CL3 ASPH BASE 1.00D PG64-22	SQYD								471	471	471
3.00" CL2 ASPH BASE 1.00D PG64-22	SQYD		2037	1972	4009			423		423	4432
3.25" CL3 ASPH BASE 1.00D PG76-22	SQYD							1447		1447	1447
3.25" CL3 ASPH BASE 1.00D PG64-22	SQYD	134	9458	10366	19958	134		4762	157	5053	25011
3.25" CL2 APH BASE 1.00D PG64-22	SQYD		4074	3944	8018			2205		2205	10223
3.50" CL3 APH BASE 1.00D PG76-22	SQYD					3444	63516			66960	66960
3.50" CL2 APH BASE 1.00D PG64-22	SQYD					6889	36669			43558	43558
3.75" CL2 APH BASE 1.00D PG64-22	SQYD	1071			1071	1071				1071	2142
4.00" CL3 APH BASE 1.00D PG64-22	SQYD						68813			68813	68813
4.00" CL2 APH BASE 1.00D PG64-22	SQYD					3444	38363			41807	41807
4.00" CRUSHED STONE BASE	SQYD						3333			3333	3333
6.00" CRUSHED STONE BASE	SQYD	424	6766	7155	14345	424		3356		3780	18125
12.00" CRUSHED STONE BASE	SQYD								216	216	216
CRUSHED AGGREGATE NO. 2	SQYD						3333			3333	3333
ASPHALT SEAL COAT	SQYD	8211	880	880	9971	10894	17733	978	862	30467	40438
FULL DEPTH CRUSHED STONE BASE	SQYD							374		374	374
1.00" DENSE GRADED AGGREGATE	SQYD	8211			8211	10894				10894	19105
FULL DEPTH DENSE GRADE AGGREGATE	SQYD						11954			11954	11954
ASPHALT SEAL AGGREGATE	SQYD	8211	880	880	9971	10894	17733	978	862	30467	40438
ASPHALT PAVE MILLING & TEXT	SQYD					279				279	279
ASPHALT MATERIAL FOR TACK	SQYD	1272	20298	21465	43035	15049	207361	10055	628	233093	276128
HIGH STRENGTH FABRIC TY V	SQYD						6777			6777	6777

PAVING SUMMARY

CODE	ITEM	UNIT	WARREN COUNTY				BUTLER COUNTY				DISTRICT 3 TOTAL QUANTITY
			WARREN CORRIDOR	EXIT 6	EXIT 7	WARREN SUBTOTAL	BUTLER CORRIDOR	REHAB MP 34.7	EXIT 28	EXIT 29	
1	DENSE GRADE AGGREGATE	TON	40			40	53	6093		6146	6186
3	CRUSHED STONE BASE	TON	147	4671	4811	9629	1118	767	1157	3237	12866
71	NO 57 AGGREGATE	TON					19			19	19
78	CRUSHED AGGREGATE NO. 2	TON					2913	2300		5213	5213
100	ASPHALT SEAL AGGREGATE	TON	83	18	18	119	109	355	20	501	620
103	ASPHALT SEAL COAT	TON	10	6	6	22	14	43	2	61	83
190	LEVELING & WEDGING PG64-22	TON						1388		1388	1388
212	CL2 ASPH BASE 1.00D PG64-22	TON	222	1065	1032	2319	1848	15499	464	17811	20130
214	CL3 ASPH BASE 1.00D PG64-22	TON	24	1768	1934	3726	24	15253	852	16235	19961
216	CL3 ASPH BASE 1.00D PG76-22	TON	12	845	922	1779	12	12226	440	12678	14457
309	CL2 ASPH SURF 0.50D PG64-22	TON	29	170	164	363	52	3385	72	3509	3872
330	CL3 ASPH SURF 0.50A PG64-22	TON							147	147	147
332	CL3 ASPH SURF 0.50A PG76-22	TON	6	392	429	827	6	6095	322	6423	7250
356	ASPHALT MATERIAL FOR TACK	TON	0.5	8.5	9	18	6.3	87	4.2	97.8	115.8
2677	ASPHALT PAVE MILLING & TEXTURING	TON		55	56	111	403		126	529	640
22861EN	HIGH STRENGTH FABRIC TY V	SQYD						6777		6777	6777

I-165 CONVERSION
KYTC - DISTRICT 3
ITEM NO. 3-2042

EXIT 28 GENERAL TABULATION SHEET

ITEM CODE	ITEM	UNIT	TOTAL PROJECT	NOTES
01890	ISLAND HEADER CURB TYPE 1	LF	75	
01982	DELINEATOR FOR GUARDRAIL M/W	EACH	113	FROM GUARDRAIL TABULATION
01984	DELINEATOR FOR BARRIER - WHITE	EACH	30	FROM MOT TABULATION
02003	RELOCATE TEMP CONC BARRIER	LF	2920	FROM MOT TABULATION
02014	BARRICADE-TYPE III	EACH	2	FROM MOT TABULATION
02159	TEMP DITCH	LF	1125	FROM EROS CTRL TABULATION
02160	CLEAN TEMP DITCH	LF	563	FROM EROS CTRL TABULATION
02200	ROADWAY EXCAVATION	CUYD	1689	
02230	EMBANKMENT IN PLACE	CUYD	1146	
02237	DITCHING	LF	4740	
02363	GUARDRAIL CONNECTOR TO BRIDGE END TY A	EACH	2	FROM GUARDRAIL TABULATION
02369	GUARDRAIL END TREATMENT TYPE 2A	EACH	5	FROM GUARDRAIL TABULATION
02383	REMOVE & RESET GUARDRAIL	LF	5987.5	FROM GUARDRAIL TABULATION
02483	CHANNEL LINING CLASS II	TON	209	
02562	TEMPORARY SIGNS	SQFT	256	FROM MOT TABULATION
02596	FABRIC-GEOTEXTILE TYPE I	SQYD	335	
02650	MAINTAIN & CONTROL TRAFFIC	LS	1	FROM MOT TABULATION
02696	SHOULDER RUMBLE STRIPS	LF	2275	
02701	TEMP SILT FENCE	LF	1125	FROM EROS CTRL TABULATION
02703	SILT TRAP TYPE A	EACH	2	FROM EROS CTRL TABULATION
02704	SILT TRAP TYPE B	EACH	2	FROM EROS CTRL TABULATION
02705	SILT TRAP TYPE C	EACH	2	FROM EROS CTRL TABULATION
02706	CLEAN SILT TRAP TYPE A	EACH	2	FROM EROS CTRL TABULATION
02707	CLEAN SILT TRAP TYPE B	EACH	2	FROM EROS CTRL TABULATION
02708	CLEAN SILT TRAP TYPE C	EACH	2	FROM EROS CTRL TABULATION
02714	SHOULDERING	LF	2277	FROM SHOULDERING TABULATION
02898	RELOCATE CRASH CUSHION	EACH	2	FROM GUARDRAIL & MOT TABULATION
03262	CLEAN PIPE STRUCTURE	EACH	1	
05950	EROSION CONTROL BLANKET	SQYD	6947	FROM EROS CTRL TABULATION
05952	TEMP MULCH	SQYD	4631	FROM EROS CTRL TABULATION
05953	TEMP SEEDING AND PROTECTION	SQYD	3473	FROM EROS CTRL TABULATION
05963	INITIAL FERTILIZER	TON	0.8	FROM EROS CTRL TABULATION
05964	20-10-10 FERTILIZER	TON	0.4	FROM EROS CTRL TABULATION
05985	SEEDING AND PROTECTION	SQYD	6947	
05992	AGRICULTURAL LIMESTONE	TON	5	FROM EROS CTRL TABULATION
06401	FLEXIBLE DELINEATOR POST-M/W	EACH	7	
06404	FLEXIBLE DELINEATOR POST-M/Y	EACH	4	
06406	SBM ALUM SHEET SIGNS .080 IN	SQFT	6	
06542	PAVE STRIPING-THERMO-6 IN W	LF	5515	
06543	PAVE STRIPING-THERMO-6 IN Y	LF	2079	
06546	PAVE STRIPING-THERMO-12 IN W	LF	999	
06549	PAVE STRIPING-TEMP REM TAPE-B	LF	440	FROM MOT TABULATION
06550	PAVE STRIPING-TEMP REM TAPE-W	LF	7000	FROM MOT TABULATION
10020NS	FUEL ADJUSTMENT	DOLL	3961	
10030NS	ASPHALT ADJUSTMENT	DOLL	8554	
20071EC	JOINT ADHESIVE	LF	2200	
20418ED	REMOVE & RELOCATE SIGNS	EACH	13	
20597EC	DITCH EXCAVATION	CUYD	101	
21289ED	LONGITUDINAL EDGE KEY	LF	2275	
21802EN	G/R STEEL W BEAM-S FACE (7 FT POST)	LF	187.5	FROM GUARDRAIL TABULATION
24096EC	REMOVE AND RESET END TREATMENT	EACH	7	FROM GUARDRAIL TABULATION
24489EC	INLAID PAVEMENT MARKER	EACH	48	

NOTE: QUANTITIES INCLUDED IN DISTRICT 3 GENERAL SUMMARY

INDEX OF SHEETS

Sheet No.	Title Sheet	Description
S1	Title Sheet	
S2	General Notes	
S2a	General Notes	
S3	Layout	
S4	Sounding Layout	
S5	Foundation Layout	
S6	End Bent #1	
S7	Pier #1	
S8	Pier #2	
S9	End Bent #2	
S10	Substructure - Bill of Reinforcement	
S11	Forming Plan	
S12	Forming Details	
S13	Beam Sheet, IN6C-49	
S14	Substructure Forming	
S15	Substructure End Bent #1	
S16	Substructure End Bent #2	
S17	Substructure - Bill of Reinforcement	
S18	Construction Elevations	
S19	Construction Elevations	
S20	Eliminate Transverse Joint	

SPECIAL NOTES
Special Note For Drilled Shafts

SPECIAL PROVISIONS
69 Embankment at Bridge End Bent Structures

STANDARD DRAWINGS
Elastomeric Bearing Pads for Prestressed Beams
Steel Joist for Structures
Concrete Retention and Waterproofing
Geotechnical Legend
Non Expansion Joints and Armored Edges
Rail End System Type 3
Treatment of Embankments at End Bents
Treatment of Embankments at End Bents

SPECIFICATIONS
2012 Standard Specifications for Road and Bridge Construction
2010 AASHTO LRFD Bridge Design Specifications with Current Interims.

REVISION	DATE
DESIGNED BY: J. JONES	J. MILES
CHECKED BY: J. MILES	J. MILES
DATE: 04-24-2018	

COMMUNITY OF KENTUCKY
DEPARTMENT OF HIGHWAYS
WARREN
CSXT RAILROAD
I-65 SPUR
TITLE SHEET

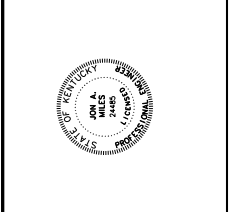
PREPARED BY: J. MILES
2500 Nelson Parkway
Louisville, KY 40223
(502) 485-3812
AMERICAN ENGINEERS, INC.
PROFESSIONAL ENGINEERING
WWW.AEI-EC.COM

TRANSPORTATION CABINET DEPARTMENT OF HIGHWAYS

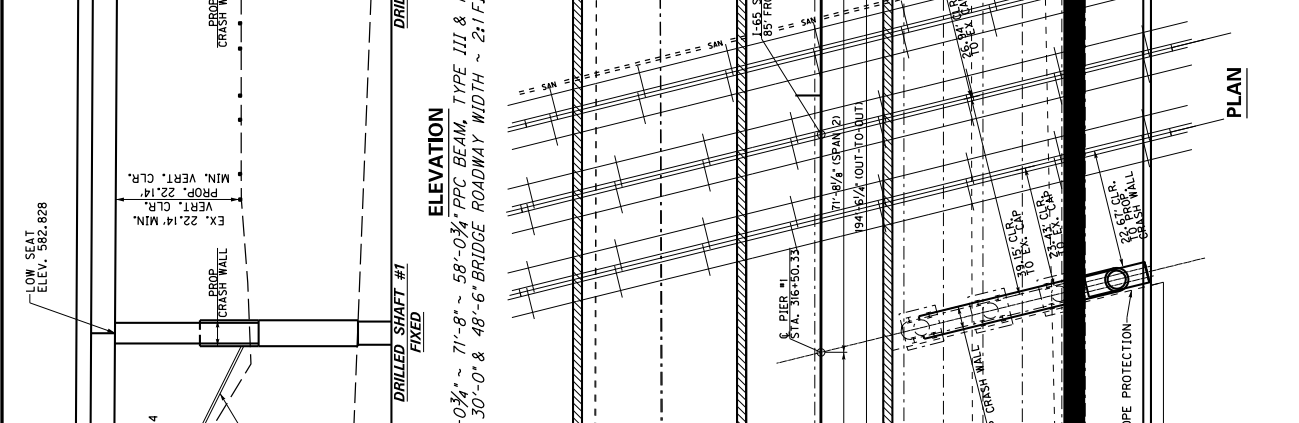
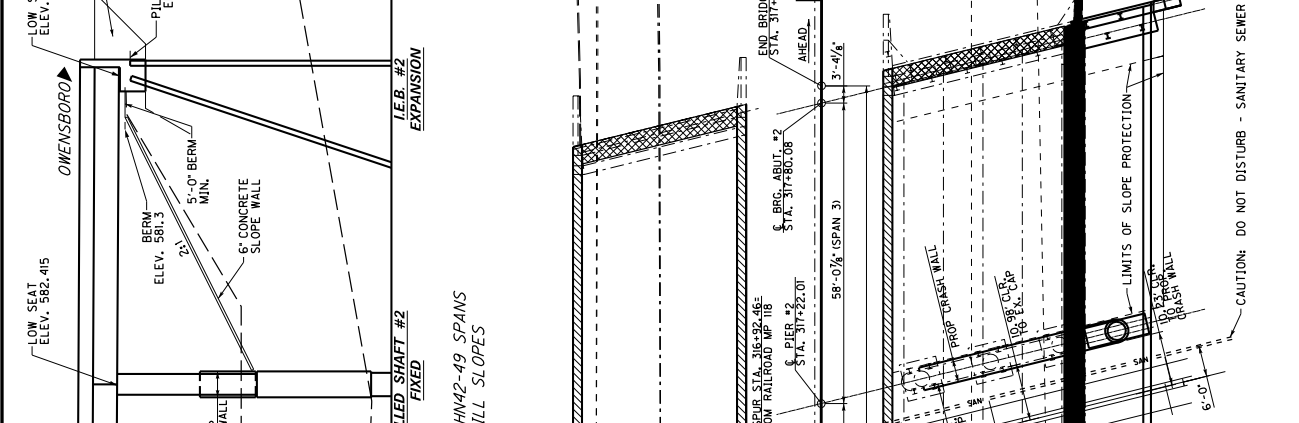
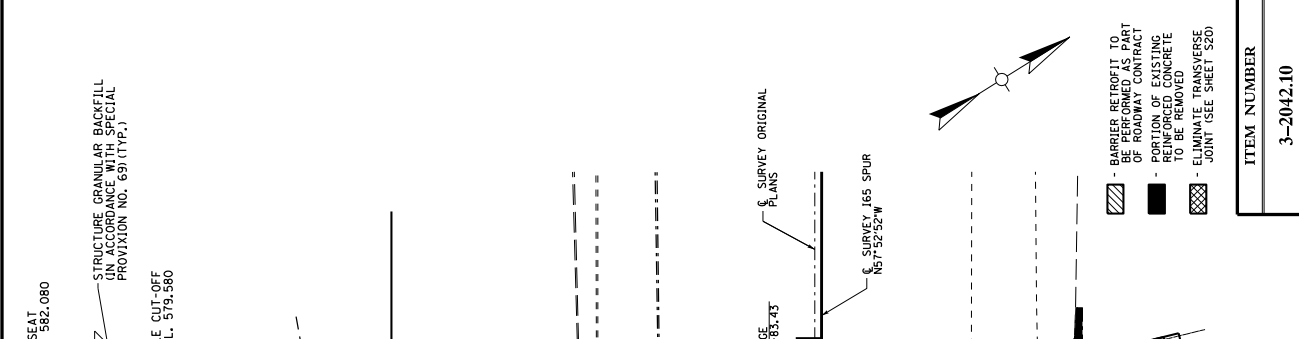
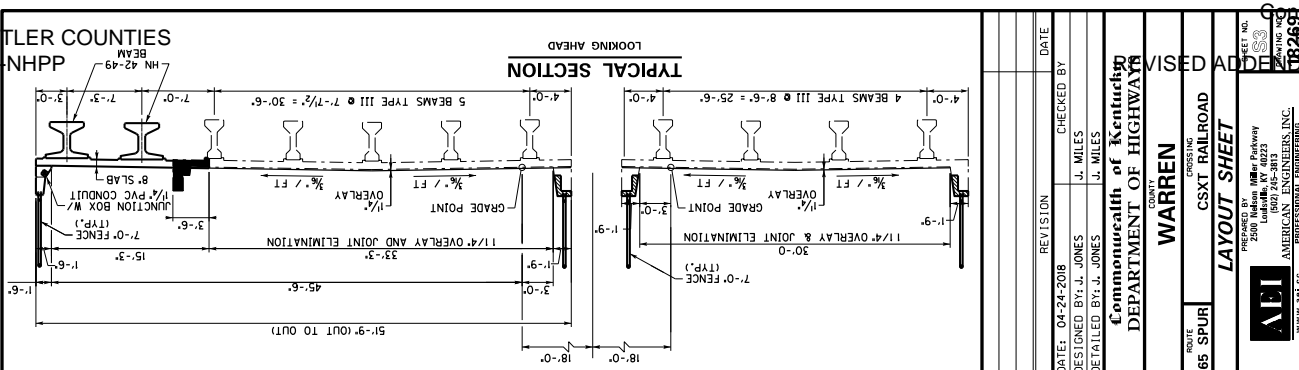
WARREN COUNTY I-65 SPUR OVER CSXT RAILROAD STA. 316 + 92.46

ESTIMATE OF QUANTITIES

BID ITEM CODE	UNIT	QTY	UNIT PRICE	TOTAL	DESCRIPTION
08100	Concrete Class "A"	197.7	11.457	2262.8	Concrete Class "A"
08104	Concrete Class "A"	89.9	117.7	10581.2	Concrete Class "A"
08150	Steel Reinforcement	25508			Steel Reinforcement
08151	Steel Reinforcement	25508			Steel Reinforcement
08151	Reinforcement Epoxy Coated				Reinforcement Epoxy Coated
08001	Structure Elevation	185.0	169.8	31418.4	Structure Elevation
08016	Reinforced Concrete Slope Wall 6 IN	78.1	220.0	17182.0	Reinforced Concrete Slope Wall 6 IN
02231	Structure Granular Backfill	37.8	9.4	355.2	Structure Granular Backfill
02588	Masonry Coating	22.1	22.1	488.3	Masonry Coating
08046	Piles - Steel HP 12 x 53	121	9.7	1171.7	Piles - Steel HP 12 x 53
08094	Pile Points 12 IN	4			Pile Points 12 IN
08033	Test Piles	44			Test Piles
02289	Armored Edge for Concrete	32	95	3040.0	Armored Edge for Concrete
21323ED	Rail System Type 3	19.7	25.2	498.4	Rail System Type 3
21777ED	Drilled Shaft 54 IN Common	10.0	19.7	197.0	Drilled Shaft 54 IN Common
20637ED	Drilled Shaft 48 IN	10.0	10.0	100.0	Drilled Shaft 48 IN
24093ED	Partial Depth Rock Patching	4			Partial Depth Rock Patching
08709	Bridge Chain Link Fence - 7ft	4	780	3120.0	Bridge Chain Link Fence - 7ft
08534	Concrete Overlay - Latex	46	780	35880.0	Concrete Overlay - Latex
08551	Machine Prep of Slab	3	1381	4143.0	Machine Prep of Slab
08526	Comp. Class M Fill Depth Patch	3	160	480.0	Comp. Class M Fill Depth Patch
08504	Epoxy Sand Slurry	375	1421	532875.0	Epoxy Sand Slurry
23881ED	PPC I-BEAM TYPE HN42-49	375	1421	532875.0	PPC I-BEAM TYPE HN42-49
08549	Blast Removal Concrete Masonry	7.5	7.5	56.25	Blast Removal Concrete Masonry
02043	Rock Soundings	40	22	880.0	Rock Soundings
02076ED	Rock Coings	210	22	4620.0	Rock Coings
04793	Conduct 1/2 IN	210	210	44100.0	Conduct 1/2 IN
05300	Eliminate Transverse Joint	131			Eliminate Transverse Joint
Substructure					
BRIDGE TOTALS		200.3	117.7	27688	



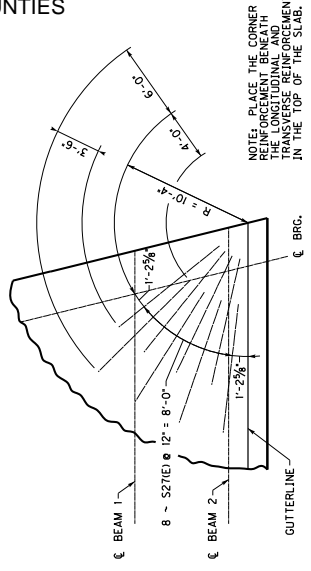
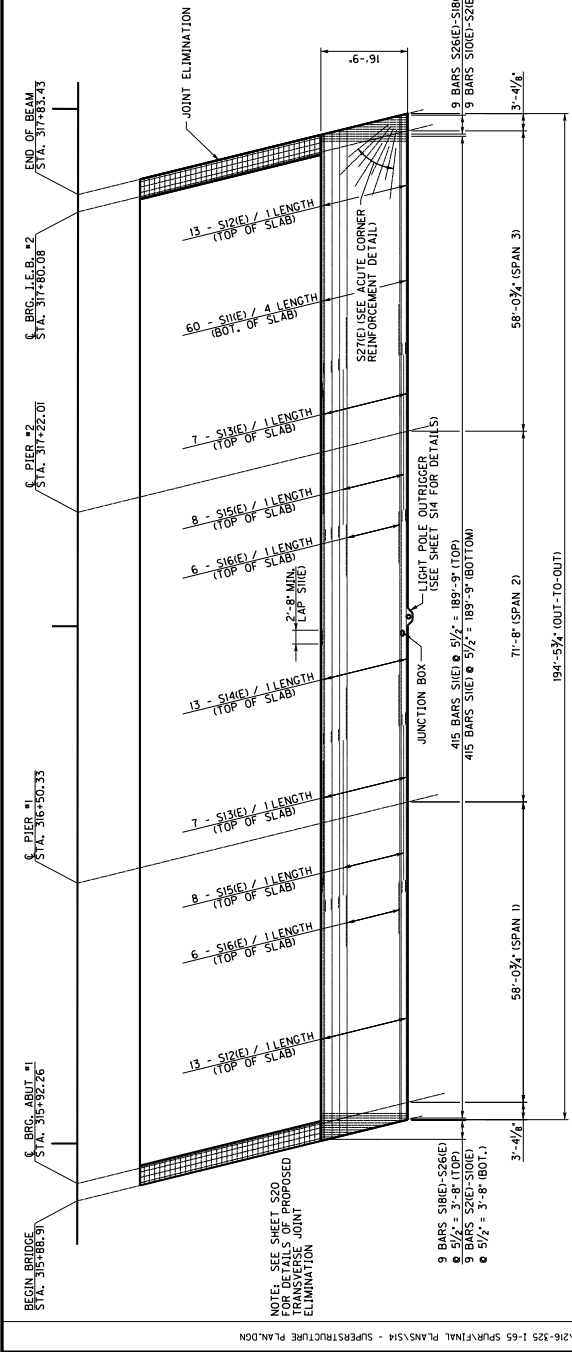
ITEM NUMBER
3-2042.10



DATE: 04-24-2018	CHECKED BY: J. MILES
DESIGNED BY: J. JONES	DETAILED BY: J. JONES
Commonwealth of Kentucky DEPARTMENT OF HIGHWAYS	
WARREN ROUTE 165 SPUR	
CSXT RAILROAD LAYOUT SHEET	
PREPARED BY: J. MILES 2800 Nelson Parkway Louisville, KY 40223 (502) 748-3812	PROJECT NO. 18-643
AMERICAN ENGINEERS, INC. PROFESSIONAL ENGINEERING WWW.AEI.CC	
ITEM NUMBER 3-2042.10	

USERS: jml
DATE PLOTTED: May 18, 2018
FILE NAME: S:\2016 PROJECTS\26-325-1-65 SPUR\FINAL PLANS\3 - LAYOUT.DWG

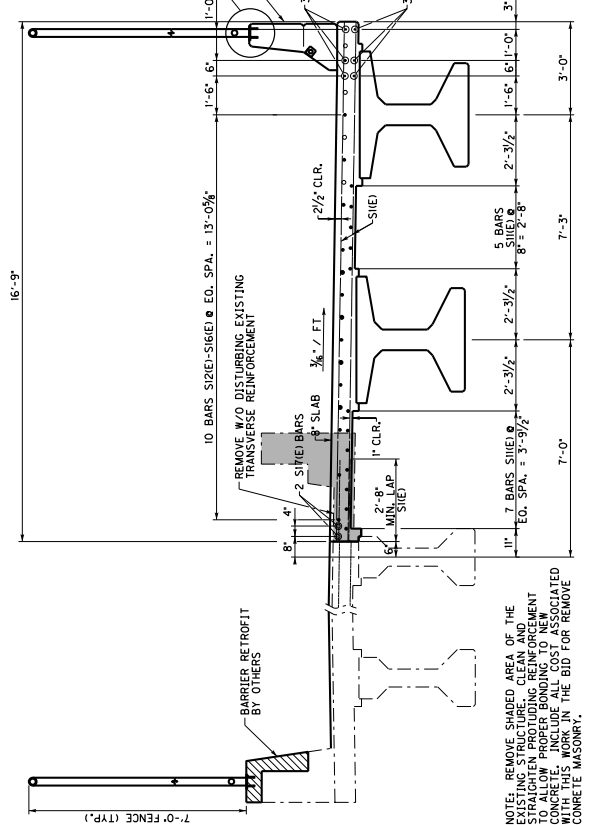
MicroStation v8.11.7.443
E-SHEET NAME:



ACUTE CORNER REINFORCEMENT

NOTE: PLACE THE CORNER REINFORCEMENT BENEATH TRANSVERSE REINFORCEMENT IN THE TOP OF THE SLAB.

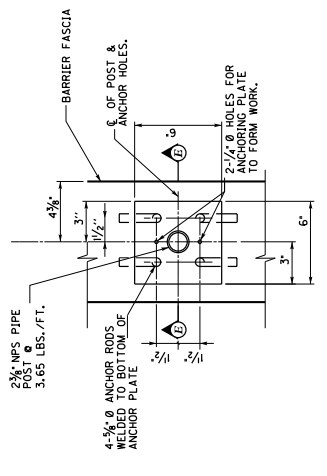
PLAN



TYPICAL SECTION
LOOKING AHEAD

NOTE: REMOVE SHADDED AREA OF THE EXISTING SLAB REINFORCEMENT TO ALLOW PROPER BONDING TO NEW REINFORCEMENT. ALL EXISTING TRANSVERSE REINFORCEMENT SHALL BE CLEANED AND STRAIGHTENED TO PROPERLY FIT WITH THIS WORK IN THE BID FOR REMOVE CONCRETE MASONRY.

NOTE: EXISTING SLAB REINFORCEMENT SHALL EXTEND INTO EXISTING MASONRY TO BE MAINTAINED TO ACCOMPLISH THIS. ALL EXISTING TRANSVERSE REINFORCEMENT SHALL BE CLEANED AND STRAIGHTENED TO PROPERLY FIT WITH THIS WORK IN THE BID FOR REMOVE CONSTRUCTION. MINIMUM EXTENSION INTO NEW SLAB IS 2'-0\"/>



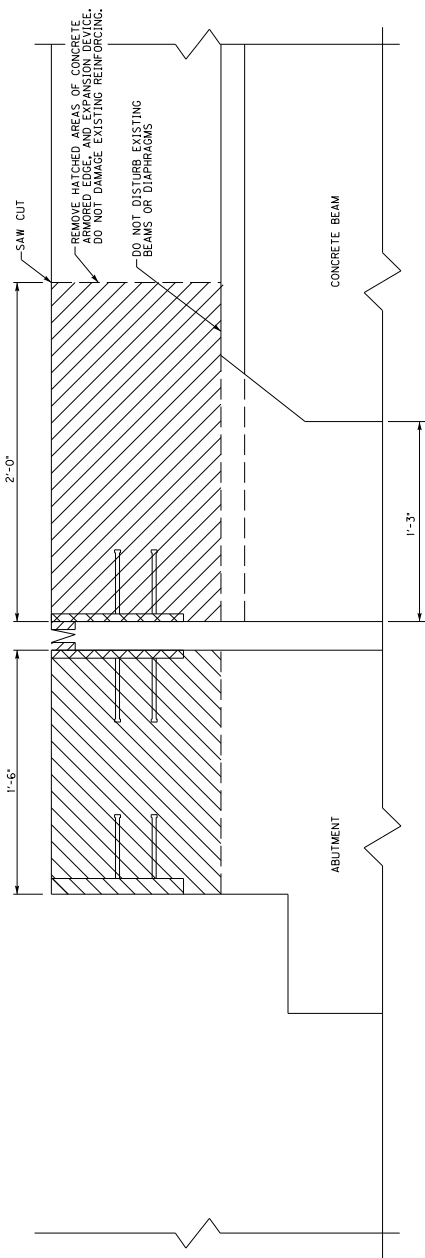
PLAN OF ANCHOR PLATE

5/8\"/>

DATE: 04-24-2018	CHECKED BY: J. MILES
DESIGNED BY: J. JONES	J. MILES
DETAILED BY: J. JONES	J. MILES
Commonwealth of Kentucky DEPARTMENT OF HIGHWAY	
WARREN	
ROUTE: 165 SPUR	CROSSING: CSXT RAILROAD
SUPERSTRUCTURE PLAN A	
PROJECT NO. 181013	SHEET NO. 48493

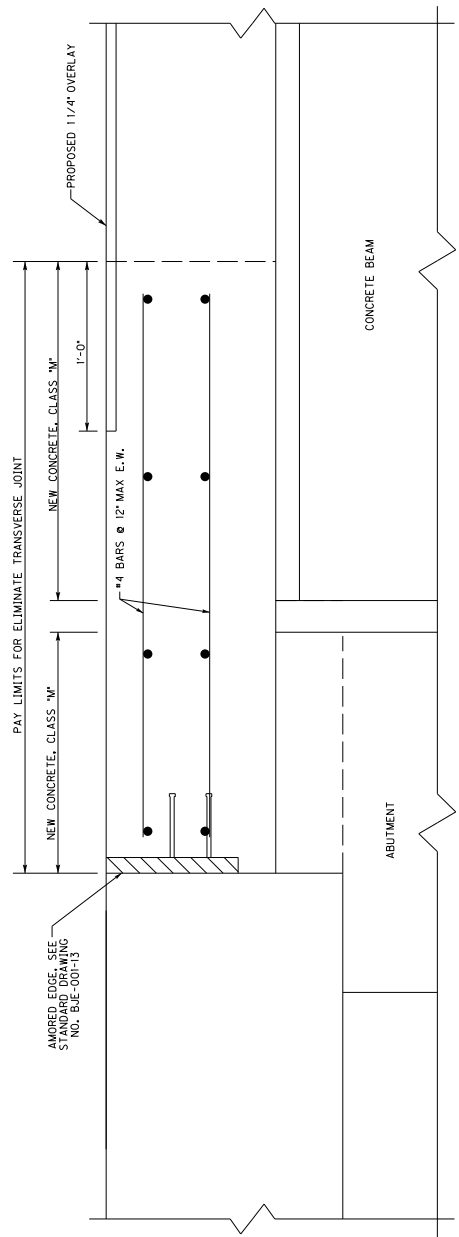
ITEM NUMBER	3-2042.10
-------------	-----------

SECTION E-E



NOTE: CLEAN AND LEAVE STEEL REINFORCEMENT IN PLACE AND REPAIR/REPLACE DAMAGED REINFORCEMENT AS DIRECTED BY THE ENGINEER

EXISTING_SECTION



NOTE: SEE STANDARD DRAWING NO. BJE-001-13

PROPOSED_SECTION

EXPANSION JOINT REPLACEMENT
ABUTMENT 1 & ABUTMENT 2

NOTE: ITEM 3300 ELIMINATE TRANSVERSE JOINTS AND REINFORCEMENT AND MATERIALS TO REMOVE AND ELIMINATE EXISTING EXPANSION JOINT UNLESS NOTED OTHERWISE
NOTE: EXISTING REINFORCEMENT NOT SHOWN FOR CLARITY

REVISION	DATE
DESIGNED BY: J. JONES	J. MILES
DETAILED BY: J. JONES	J. MILES
Commonwealth of Kentucky DEPARTMENT OF HIGHWAYS	
COUNTY: WARREN ROUTE: 165 SPUR CROSSING: CSXT RAILROAD ELIMINATE TRANSVERSE JOINT	
SHEET NO. 18809 PROJECT NO. 121GR18D013	



ITEM NUMBER
3-2042.10

MATERIAL SUMMARY

CONTRACT ID: 181013

121GR18D013-NHPP

DE01601651813

I-165 SPUR I-65 SPUR CORRIDOR; MODERNIZATION OF EXISTING NATCHER PARKWAY FROM BUTLER-WARREN COUNTY LINE MP 20.246 EXTENDING NORTH TO MP 37.143 IN WARREN COUNTY ASPHALT REHAB INTERSTATE/PARKWAY, A DISTANCE OF 18.2 MILES.

Project Line No	Bid Code	DESCRIPTION	Quantity	Unit
0005	00001	DGA BASE - (REVISED: 5-23-18)	6,146.00	TON
0010	00003	CRUSHED STONE BASE	3,237.00	TON
0015	00071	CRUSHED AGGREGATE SIZE NO 57	19.00	TON
0020	00078	CRUSHED AGGREGATE SIZE NO 2	5,213.00	TON
0025	00100	ASPHALT SEAL AGGREGATE - (REVISED: 5-23-18)	501.00	TON
0030	00103	ASPHALT SEAL COAT - (REVISED: 5-23-18)	61.00	TON
0035	00190	LEVELING & WEDGING PG64-22	1,388.00	TON
0040	00214	CL3 ASPH BASE 1.00D PG64-22	16,235.00	TON
0045	00216	CL3 ASPH BASE 1.00D PG76-22	12,678.00	TON
0050	00309	CL2 ASPH SURF 0.50D PG64-22	3,509.00	TON
0055	00330	CL3 ASPH SURF 0.50A PG64-22	147.00	TON
0060	00332	CL3 ASPH SURF 0.50A PG76-22	6,423.00	TON
0065	00356	ASPHALT MATERIAL FOR TACK	97.80	TON
0070	02677	ASPHALT PAVE MILLING & TEXTURING	508.00	TON
0075	00003	CRUSHED STONE BASE - SHOULDER REPAIR	147.00	TON
0080	00212	CL2 ASPH BASE 1.00D PG64-22 - SHOULDER REPAIR	222.00	TON
0085	00214	CL3 ASPH BASE 1.00D PG64-22 - SHOULDER REPAIR	24.00	TON
0090	00216	CL3 ASPH BASE 1.00D PG76-22 - SHOULDER REPAIR	12.00	TON
0095	00309	CL2 ASPH SURF 0.50D PG64-22 - SHOULDER REPAIR	29.00	TON
0100	00332	CL3 ASPH SURF 0.50A PG76-22 - SHOULDER REPAIR	6.00	TON
0105	22861EN	HIGH STRENGTH GEOTEXTILE FABRIC TY V	6,777.00	SQYD
0110	00212	CL2 ASPH BASE 1.00D PG64-22	17,811.00	TON
0115	00078	CRUSHED AGGREGATE SIZE NO 2	30.00	TON
0120	00212	CL2 ASPH BASE 1.00D PG64-22	381.00	TON
0125	01005	PERFORATED PIPE EDGE DRAIN-4 IN	49,146.00	LF
0130	01010	NON-PERFORATED PIPE-4 IN	1,566.00	LF
0135	01028	PERF PIPE HEADWALL TY 3-4 IN	200.00	EACH
0140	01310	REMOVE PIPE	2,401.00	LF
0145	01718	REMOVE INLET	13.00	EACH
0150	01890	ISLAND HEADER CURB TYPE 1	600.00	LF
0155	01904	REMOVE CURB	7,055.00	LF
0160	01982	DELINEATOR FOR GUARDRAIL MONO DIRECTIONAL WHITE	904.00	EACH
0165	01983	DELINEATOR FOR GUARDRAIL MONO DIRECTIONAL YELLOW	58.00	EACH
0170	01984	DELINEATOR FOR BARRIER - WHITE	114.00	EACH
0175	01985	DELINEATOR FOR BARRIER - YELLOW	74.00	EACH
0180	02003	RELOCATE TEMP CONC BARRIER	6,280.00	LF
0185	02014	BARRICADE-TYPE III	6.00	EACH
0190	02107	BREAKING AND SEATING PAVEMENT	70,934.00	SQYD
0195	02159	TEMP DITCH	12,260.00	LF
0200	02160	CLEAN TEMP DITCH	6,131.00	LF
0205	02165	REMOVE PAVED DITCH	2,219.00	SQYD
0210	02200	ROADWAY EXCAVATION - (REVISED: 5-23-18)	5,366.00	CUYD

MATERIAL SUMMARY

Project Line No	Bid Code	DESCRIPTION	Quantity	Unit
0215	02223	GRANULAR EMBANKMENT	100.00	CUYD
0220	02230	EMBANKMENT IN PLACE - (REVISED: 5-23-18)	20,108.00	CUYD
0225	02237	DITCHING	18,040.00	LF
0230	02242	WATER	2,000.00	MGAL
0235	02363	GUARDRAIL CONNECTOR TO BRIDGE END TY A	15.00	EACH
0240	02367	GUARDRAIL END TREATMENT TYPE 1	8.00	EACH
0245	02369	GUARDRAIL END TREATMENT TYPE 2A	41.00	EACH
0250	02381	REMOVE GUARDRAIL	16,275.00	LF
0255	02383	REMOVE & RESET GUARDRAIL	29,250.00	LF
0260	02387	GUARDRAIL CONNECTOR TO BRIDGE END TY A-1	5.00	EACH
0265	02469	CLEAN SINKHOLE	2.00	EACH
0270	02483	CHANNEL LINING CLASS II	2,528.00	TON
0275	02562	TEMPORARY SIGNS	1,768.00	SQFT
0280	02599	FABRIC-GEOTEXTILE TYPE IV	6,399.00	SQYD
0285	02625	REMOVE HEADWALL	11.00	EACH
0290	02650	MAINTAIN & CONTROL TRAFFIC - BUTLER COUNTY	1.00	LS
0295	02671	PORTABLE CHANGEABLE MESSAGE SIGN	3.00	EACH
0300	02676	MOBILIZATION FOR MILL & TEXT - BUTLER COUNTY	1.00	LS
0305	02678	SCARIFYING PAVEMENT	36,712.00	SQYD
0310	02696	SHOULDER RUMBLE STRIPS	55,021.00	LF
0315	02701	TEMP SILT FENCE	12,260.00	LF
0320	02703	SILT TRAP TYPE A	10.00	EACH
0325	02704	SILT TRAP TYPE B	10.00	EACH
0330	02705	SILT TRAP TYPE C	10.00	EACH
0335	02707	CLEAN SILT TRAP TYPE B	10.00	EACH
0340	02706	CLEAN SILT TRAP TYPE A	10.00	EACH
0345	02708	CLEAN SILT TRAP TYPE C	10.00	EACH
0350	02714	SHOULDERING	2,277.00	LF
0355	02775	ARROW PANEL	3.00	EACH
0360	02898	RELOCATE CRASH CUSHION	9.00	EACH
0365	03171	CONCRETE BARRIER WALL TYPE 9T	4,300.00	LF
0370	05950	EROSION CONTROL BLANKET	34,929.00	SQYD
0375	05952	TEMP MULCH	23,286.00	SQYD
0380	05953	TEMP SEEDING AND PROTECTION	17,465.00	SQYD
0385	05963	INITIAL FERTILIZER	3.80	TON
0390	05964	20-10-10 FERTILIZER	2.10	TON
0395	05985	SEEDING AND PROTECTION	48,648.00	SQYD
0400	05992	AGRICULTURAL LIMESTONE	23.00	TON
0405	06401	FLEXIBLE DELINEATOR POST-M/W	40.00	EACH
0410	06404	FLEXIBLE DELINEATOR POST-M/Y	32.00	EACH
0415	06511	PAVE STRIPING-TEMP PAINT-6 IN	152,000.00	LF
0420	06517	PAVE STRIPING-PERM PAINT-12 IN	1,454.00	LF
0425	06549	PAVE STRIPING-TEMP REM TAPE-B	4,840.00	LF
0430	06550	PAVE STRIPING-TEMP REM TAPE-W	37,300.00	LF
0435	06551	PAVE STRIPING-TEMP REM TAPE-Y	19,200.00	LF
0440	08903	CRASH CUSHION TY VI CLASS BT TL3	3.00	EACH
0445	10020NS	FUEL ADJUSTMENT	94,672.00	DOLL
0450	10030NS	ASPHALT ADJUSTMENT	228,942.00	DOLL
0455	20366NN	REPLACE GRATE	2.00	EACH
0460	20418ED	REMOVE & RELOCATE SIGNS	13.00	EACH

MATERIAL SUMMARY

Project Line No	Bid Code	DESCRIPTION	Quantity	Unit
0465	20597EC	DITCH EXCAVATION	101.00	CUYD
0470	20411ED	LAW ENFORCEMENT OFFICER	1,280.00	HOURL
0475	21289ED	LONGITUDINAL EDGE KEY	2,275.00	LF
0480	21802EN	G/R STEEL W BEAM-S FACE (7 FT POST)	16,237.50	LF
0485	22883EN	CONCRETE WEDGE CURB	14,985.00	LF
0490	23496EC	MEDIAN CROSSOVER REMOVAL - AROUND MP 35.4	1.00	EACH
0495	24096EC	REMOVE AND RESET END TREATMENT	25.00	EACH
0500	24489EC	INLAID PAVEMENT MARKER	378.00	EACH
0505	02545	CLEARING AND GRUBBING - .058 ACRES-BUTLER COUNTY	1.00	LS
0510	24605ED	RELOCATE - MEDIAN TURN-AROUND MP 34.2	1.00	EACH
0515	24979ED	REGRADE - MEDIAN TURN-AROUND MP 25.4	2.00	EACH
0520	02352	GUARDRAIL-STEEL W BEAM-D FACE	1,175.00	LF
0525	02365	CRASH CUSHION TYPE IX-A	3.00	EACH
0530	02373	GUARDRAIL END TREATMENT TYPE 3	3.00	EACH
0535	02396	REMOVE GUARDRAIL END TREATMENT	17.00	EACH
0540	02929	CRASH CUSHION TYPE IX	1.00	EACH
0545	20432ES112	REMOVE CRASH CUSHION	4.00	EACH
0550	24654ED	SINGLE SLOPE MEDIAN BARRIER - @ GREEN RIVER BRIDGE	200.00	LF
0555	24980ED	ADJUST CRASH WALL HEIGHT - @ EXIT 36 BRIDGE	1.00	L S
0560	08002	STRUCTURE EXCAV-SOLID ROCK - (REVISED: 5-23-18)	8,726.00	CUYD
0565	01015	INSPECT & CERTIFY EDGE DRAIN SYSTEM - BUTLER COUNTY	1.00	LS
0570	01740	CORED HOLE DRAINAGE BOX CON-4 IN	4.00	EACH
0575	02565	OBJECT MARKER TYPE 2	10.00	EACH
0580	02596	FABRIC-GEOTEXTILE TYPE I	4,054.00	SQYD
0585	02690	SAFELOADING	2.00	CUYD
0590	02726	STAKING - BUTLER COUNTY	1.00	LS
0595	06542	PAVE STRIPING-THERMO-6 IN W	54,281.00	LF
0600	06543	PAVE STRIPING-THERMO-6 IN Y	28,580.00	LF
0605	06546	PAVE STRIPING-THERMO-12 IN W	999.00	LF
0610	40024	ASPHALT PAVEMENT REMOVAL(ALL DEPTHS)	3,334.00	SQYD
0615	20071EC	JOINT ADHESIVE	50,704.00	LF
0620	00522	STORM SEWER PIPE-18 IN	45.00	LF
0625	01450	S & F BOX INLET-OUTLET-18 IN	1.00	EACH
0630	01559	DROP BOX INLET TYPE 13G	1.00	EACH
0635	01690	FLUME INLET TYPE 1	6.00	EACH
0640	01691	FLUME INLET TYPE 2	19.00	EACH
0645	01480	CURB BOX INLET TYPE B	1.00	EACH
0650	01371	METAL END SECTION TY 1-18 IN	2.00	EACH
0655	01381	METAL END SECTION TY 2-18 IN	1.00	EACH
0660	23148EN	END ANCHORS	3.00	EACH
0665	04701	POLE 40 FT MTG HT	1.00	EACH
0670	04725	BRACKET 15 FT	1.00	EACH
0675	04740	POLE BASE	1.00	EACH
0680	04750	TRANSFORMER BASE	1.00	EACH
0685	04793	CONDUIT-1 1/4 IN	515.00	LF
0690	04820	TRENCHING AND BACKFILLING	515.00	LF
0695	04833	WIRE-NO. 8	1,030.00	LF
0700	20391NS835	ELECTRICAL JUNCTION BOX TYPE A	1.00	EACH

MATERIAL SUMMARY

Project Line No	Bid Code	DESCRIPTION	Quantity	Unit
0705	20410ED	MAINTAIN LIGHTING - (BUTLER COUNTY)	1.00	LS
0710	24589ED	LED LUMINAIRE	31.00	EACH
0715	02998	MASONRY COATING	225.00	SQYD
0720	02998	MASONRY COATING	225.00	SQYD
0725	02998	MASONRY COATING	1,338.00	SQYD
0730	08504	EPOXY SAND SLURRY	97.00	SQYD
0735	08504	EPOXY SAND SLURRY	97.00	SQYD
0740	08504	EPOXY SAND SLURRY	648.00	SQYD
0745	23032EN	BRIDGE BARRIER RETROFIT	502.00	LF
0750	23032EN	BRIDGE BARRIER RETROFIT	502.00	LF
0755	23032EN	BRIDGE BARRIER RETROFIT	2,462.00	LF
0760	08549	BLAST CLEANING	97.00	SQYD
0765	08549	BLAST CLEANING	97.00	SQYD
0770	08549	BLAST CLEANING	648.00	SQYD
0775	08100	CONCRETE-CLASS A	20.00	CUYD
0780	08150	STEEL REINFORCEMENT	447.00	LB
0785	08003	FOUNDATION PREPARATION - BUTLER COUNTY	1.00	LS
0790	08410	LOW FLOW DIVERSION CURB - BUTLER COUNTY	1.00	LS
0795	22146EN	CONCRETE PATCHING REPAIR	80.00	SQFT
0800	02568	MOBILIZATION	1.00	LS
0805	02569	DEMOBILIZATION	1.00	LS
0810	00462	CULVERT PIPE-18 IN	450.00	LF
0815	00336	CL3 ASPH SURF 0.38A PG76-22 - DRIVING LANE PATCHING	372.00	TON
0820	03262	CLEAN PIPE STRUCTURE - (ADDED: 5-17-18)	4.00	EACH
0825	04780	FUSED CONNECTOR KIT - (ADDED: 5-17-18)	3.00	EACH

CONTRACT ID: 181013

121GR18D013-NHPP

DE11401651813

I-165 SPUR I-65 SPUR CORRIDOR; MODERNIZATION OF EXISTING NATCHER PARKWAY FROM I-65 INTERCHANGE MP 2.079 EXTENDING NORTH TO WARREN-BUTLER COUNTY LINE MP 20.246 ASPHALT REHAB INTERSTATE/PARKWAY, A DISTANCE OF 16.9 MILES.

Project Line No	Bid Code	DESCRIPTION	Quantity	Unit
0830	00003	CRUSHED STONE BASE	9,629.00	TON
0835	00100	ASPHALT SEAL AGGREGATE - (REVISED: 5-23-18)	119.00	TON
0840	00103	ASPHALT SEAL COAT - (REVISED: 5-23-18)	22.00	TON
0845	00212	CL2 ASPH BASE 1.00D PG64-22	2,319.00	TON
0850	00214	CL3 ASPH BASE 1.00D PG64-22	3,726.00	TON
0855	00216	CL3 ASPH BASE 1.00D PG76-22	1,779.00	TON
0860	00309	CL2 ASPH SURF 0.50D PG64-22	363.00	TON
0865	00332	CL3 ASPH SURF 0.50A PG76-22	827.00	TON
0870	00356	ASPHALT MATERIAL FOR TACK	18.00	TON
0875	02677	ASPHALT PAVE MILLING & TEXTURING	111.00	TON
0880	00078	CRUSHED AGGREGATE SIZE NO 2	10.00	TON
0885	00212	CL2 ASPH BASE 1.00D PG64-22	586.00	TON
0890	01000	PERFORATED PIPE-4 IN	2,450.00	LF
0895	01010	NON-PERFORATED PIPE-4 IN	72.00	LF

MATERIAL SUMMARY

Project Line No	Bid Code	DESCRIPTION	Quantity	Unit
0900	01020	PERF PIPE HEADWALL TY 1-4 IN	4.00	EACH
0905	01028	PERF PIPE HEADWALL TY 3-4 IN	6.00	EACH
0910	01310	REMOVE PIPE	24.00	LF
0915	01890	ISLAND HEADER CURB TYPE 1	600.00	LF
0920	01982	DELINEATOR FOR GUARDRAIL MONO DIRECTIONAL WHITE	528.00	EACH
0925	01983	DELINEATOR FOR GUARDRAIL MONO DIRECTIONAL YELLOW	32.00	EACH
0930	01984	DELINEATOR FOR BARRIER - WHITE	156.00	EACH
0935	01985	DELINEATOR FOR BARRIER - YELLOW	56.00	EACH
0940	02003	RELOCATE TEMP CONC BARRIER	10,040.00	LF
0945	02014	BARRICADE-TYPE III	10.00	EACH
0950	02159	TEMP DITCH	9,383.00	LF
0955	02160	CLEAN TEMP DITCH	4,692.00	LF
0960	02200	ROADWAY EXCAVATION	16,241.00	CUYD
0965	02223	GRANULAR EMBANKMENT	100.00	CUYD
0970	02230	EMBANKMENT IN PLACE	9,645.00	CUYD
0975	02242	WATER	2,000.00	MGAL
0980	02363	GUARDRAIL CONNECTOR TO BRIDGE END TY A	16.00	EACH
0985	02367	GUARDRAIL END TREATMENT TYPE 1	5.00	EACH
0990	02369	GUARDRAIL END TREATMENT TYPE 2A	21.00	EACH
0995	02381	REMOVE GUARDRAIL	9,905.00	LF
1000	02383	REMOVE & RESET GUARDRAIL	18,337.50	LF
1005	02387	GUARDRAIL CONNECTOR TO BRIDGE END TY A-1	8.00	EACH
1010	02469	CLEAN SINKHOLE	2.00	EACH
1015	02483	CHANNEL LINING CLASS II	204.00	TON
1020	02562	TEMPORARY SIGNS	2,024.00	SQFT
1025	02599	FABRIC-GEOTEXTILE TYPE IV	200.00	SQYD
1030	02600	FABRIC GEOTEXTILE TY IV FOR PIPE	274.00	SQYD
1035	02650	MAINTAIN & CONTROL TRAFFIC - WARREN COUNTY	1.00	LS
1040	02671	PORTABLE CHANGEABLE MESSAGE SIGN	5.00	EACH
1045	02696	SHOULDER RUMBLE STRIPS	7,650.00	LF
1050	02701	TEMP SILT FENCE	9,383.00	LF
1055	02703	SILT TRAP TYPE A	13.00	EACH
1060	02704	SILT TRAP TYPE B	13.00	EACH
1065	02705	SILT TRAP TYPE C	13.00	EACH
1070	02706	CLEAN SILT TRAP TYPE A	13.00	EACH
1075	02707	CLEAN SILT TRAP TYPE B	13.00	EACH
1080	02708	CLEAN SILT TRAP TYPE C	13.00	EACH
1085	02714	SHOULDERING	7,611.00	LF
1090	02726	STAKING - WARREN COUNTY	1.00	LS
1095	02775	ARROW PANEL	3.00	EACH
1100	03171	CONCRETE BARRIER WALL TYPE 9T	3,800.00	LF
1105	05950	EROSION CONTROL BLANKET	56,847.00	SQYD
1110	05952	TEMP MULCH	37,898.00	SQYD
1115	05953	TEMP SEEDING AND PROTECTION	28,424.00	SQYD
1120	05963	INITIAL FERTILIZER	6.10	TON
1125	05964	20-10-10 FERTILIZER	3.20	TON
1130	05992	AGRICULTURAL LIMESTONE	37.00	TON
1135	06511	PAVE STRIPING-TEMP PAINT-6 IN	2,000.00	LF
1140	06517	PAVE STRIPING-PERM PAINT-12 IN	2,516.00	LF

MATERIAL SUMMARY

Project Line No	Bid Code	DESCRIPTION	Quantity	Unit
1145	06549	PAVE STRIPING-TEMP REM TAPE-B	5,500.00	LF
1150	06550	PAVE STRIPING-TEMP REM TAPE-W	55,400.00	LF
1155	06551	PAVE STRIPING-TEMP REM TAPE-Y	22,200.00	LF
1160	06568	PAVE MARKING-THERMO STOP BAR-24IN	96.00	LF
1165	08903	CRASH CUSHION TY VI CLASS BT TL3	5.00	EACH
1170	10020NS	FUEL ADJUSTMENT	9,355.00	DOLL
1175	10030NS	ASPHALT ADJUSTMENT	41,865.00	DOLL
1180	20411ED	LAW ENFORCEMENT OFFICER	1,280.00	HOURL
1185	21802EN	G/R STEEL W BEAM-S FACE (7 FT POST)	9,525.00	LF
1190	22883EN	CONCRETE WEDGE CURB	11,084.00	LF
1195	23496EC	MEDIAN CROSSOVER REMOVAL - MEDIAN TURN-AROUND MP 3.6	1.00	EACH
1200	23496EC	MEDIAN CROSSOVER REMOVAL - MP 34.2	1.00	EACH
1205	24096EC	REMOVE AND RESET END TREATMENT	11.00	EACH
1210	02545	CLEARING AND GRUBBING - 1.10 ACRES-WARREN COUNTY	1.00	LS
1215	24605ED	RELOCATE - MEDIAN TURN-AROUND MP 9.9	1.00	EACH
1220	06514	PAVE STRIPING-PERM PAINT-4 IN	1,459.00	LF
1225	08002	STRUCTURE EXCAV-SOLID ROCK	5,211.00	CUYD
1230	02365	CRASH CUSHION TYPE IX-A	6.00	EACH
1235	02565	OBJECT MARKER TYPE 2	32.00	EACH
1240	02596	FABRIC-GEOTEXTILE TYPE I	327.00	SQYD
1245	06542	PAVE STRIPING-THERMO-6 IN W	21,510.00	LF
1250	06543	PAVE STRIPING-THERMO-6 IN Y	6,348.00	LF
1255	20071EC	JOINT ADHESIVE	7,406.00	LF
1260	20904ED	RECONSTRUCT CURB BOX INLET	6.00	EACH
1265	24605ED	RELOCATE - MEDIAN TURN-AROUND MP 14.8	1.00	EACH
1270	24605ED	RELOCATE - MEDIAN TURN-AROUND MP 20	1.00	EACH
1275	00461	CULVERT PIPE-15 IN	29.00	LF
1280	00462	CULVERT PIPE-18 IN	127.00	LF
1285	00521	STORM SEWER PIPE-15 IN	9.00	LF
1290	01202	PIPE CULVERT HEADWALL-15 IN	2.00	EACH
1295	01204	PIPE CULVERT HEADWALL-18 IN	1.00	EACH
1300	01208	PIPE CULVERT HEADWALL-24 IN	1.00	EACH
1305	01450	S & F BOX INLET-OUTLET-18 IN	6.00	EACH
1310	01480	CURB BOX INLET TYPE B	1.00	EACH
1315	01541	DROP BOX INLET TYPE 10	1.00	EACH
1320	01584	CAP DROP BOX INLET	1.00	EACH
1325	01690	FLUME INLET TYPE 1	4.00	EACH
1330	01691	FLUME INLET TYPE 2	7.00	EACH
1335	04700	POLE 30 FT MTG HT	36.00	EACH
1340	04720	BRACKET 4 FT	3.00	EACH
1345	04721	BRACKET 6 FT	2.00	EACH
1350	04724	BRACKET 12 FT	27.00	EACH
1355	04725	BRACKET 15 FT	4.00	EACH
1360	04740	POLE BASE	35.00	EACH
1365	04750	TRANSFORMER BASE	35.00	EACH
1370	04793	CONDUIT-1 1/4 IN	7,910.00	LF
1375	04820	TRENCHING AND BACKFILLING	7,795.00	LF
1380	04834	WIRE-NO. 6	15,820.00	LF
1385	20391NS835	ELECTRICAL JUNCTION BOX TYPE A	11.00	EACH

MATERIAL SUMMARY

Project Line No	Bid Code	DESCRIPTION	Quantity	Unit
1390	20410ED	MAINTAIN LIGHTING - WARREN COUNTY	1.00	LS
1395	24589ED	LED LUMINAIRE	291.00	EACH
1400	02998	MASONRY COATING	200.00	SQYD
1405	02998	MASONRY COATING	200.00	SQYD
1410	02998	MASONRY COATING	193.00	SQYD
1415	02998	MASONRY COATING	97.00	SQYD
1420	02998	MASONRY COATING	220.00	SQYD
1425	02998	MASONRY COATING	220.00	SQYD
1430	02998	MASONRY COATING	253.00	SQYD
1435	02998	MASONRY COATING	253.00	SQYD
1440	02998	MASONRY COATING	220.00	SQYD
1445	08504	EPOXY SAND SLURRY	87.00	SQYD
1450	08504	EPOXY SAND SLURRY	87.00	SQYD
1455	08504	EPOXY SAND SLURRY	83.00	SQYD
1460	08504	EPOXY SAND SLURRY	42.00	SQYD
1465	08504	EPOXY SAND SLURRY	96.00	SQYD
1470	08504	EPOXY SAND SLURRY	96.00	SQYD
1475	08504	EPOXY SAND SLURRY	112.00	SQYD
1480	08504	EPOXY SAND SLURRY	112.00	SQYD
1485	08504	EPOXY SAND SLURRY - (REVISED: 5-23-18)	160.00	SQYD
1490	23032EN	BRIDGE BARRIER RETROFIT	449.00	LF
1495	23032EN	BRIDGE BARRIER RETROFIT	449.00	LF
1500	23032EN	BRIDGE BARRIER RETROFIT	431.00	LF
1505	23032EN	BRIDGE BARRIER RETROFIT	216.00	LF
1510	23032EN	BRIDGE BARRIER RETROFIT	494.00	LF
1515	23032EN	BRIDGE BARRIER RETROFIT	494.00	LF
1520	23032EN	BRIDGE BARRIER RETROFIT	569.00	LF
1525	23032EN	BRIDGE BARRIER RETROFIT	569.00	LF
1530	08549	BLAST CLEANING	87.00	SQYD
1535	08549	BLAST CLEANING	87.00	SQYD
1540	08549	BLAST CLEANING	83.00	SQYD
1545	08549	BLAST CLEANING	42.00	SQYD
1550	08549	BLAST CLEANING	744.00	SQYD
1555	08549	BLAST CLEANING	744.00	SQYD
1560	08549	BLAST CLEANING	112.00	SQYD
1565	08549	BLAST CLEANING	112.00	SQYD
1570	03298	EXPAN JOINT REPLACE 4 IN	67.00	LF
1575	03298	EXPAN JOINT REPLACE 4 IN	67.00	LF
1580	03299	ARMORED EDGE FOR CONCRETE	67.00	LF
1585	03299	ARMORED EDGE FOR CONCRETE	67.00	LF
1590	03299	ARMORED EDGE FOR CONCRETE	32.00	LF
1595	08150	STEEL REINFORCEMENT	267.00	LB
1600	08150	STEEL REINFORCEMENT	267.00	LB
1605	08150	STEEL REINFORCEMENT - (REVISED: 5-17-18)	11,457.00	LB
1610	08526	CONC CLASS M FULL DEPTH PATCH	7.00	CUYD
1615	08526	CONC CLASS M FULL DEPTH PATCH	7.00	CUYD
1620	08526	CONC CLASS M FULL DEPTH PATCH	3.00	CUYD
1625	08534	CONCRETE OVERLAY-LATEX	41.30	CUYD
1630	08534	CONCRETE OVERLAY-LATEX	41.30	CUYD
1635	08534	CONCRETE OVERLAY-LATEX	46.00	CUYD

MATERIAL SUMMARY

Project Line No	Bid Code	DESCRIPTION	Quantity	Unit
1640	08551	MACHINE PREP OF SLAB	744.00	SQYD
1645	08551	MACHINE PREP OF SLAB	744.00	SQYD
1650	08551	MACHINE PREP OF SLAB	1,381.00	SQYD
1655	03304	BRIDGE OVERLAY APPROACH PAVEMENT	667.00	SQYD
1660	03304	BRIDGE OVERLAY APPROACH PAVEMENT	667.00	SQYD
1665	08100	CONCRETE-CLASS A	200.30	CUYD
1670	08104	CONCRETE-CLASS AA	117.70	CUYD
1675	08151	STEEL REINFORCEMENT-EPOXY COATED	27,688.00	LB
1680	08001	STRUCTURE EXCAVATION-COMMON	185.00	CUYD
1685	08016	REINF CONC SLOPE WALL-6 IN	170.00	SQYD
1690	02231	STRUCTURE GRANULAR BACKFILL	78.00	CUYD
1695	08046	PILES-STEEL HP12X53	255.00	LF
1700	08094	PILE POINTS-12 IN - (REVISED: 5-23-18)	8.00	EACH
1705	08033	TEST PILES	92.00	LF
1710	21532ED	RAIL SYSTEM TYPE III	195.00	LF
1715	21777EN	DRILLED SHAFT COMMON-54 IN - (REVISED: 5-17-18)	44.90	LF
1720	20637ED	DRILLED SHAFT-ROCK 48 IN	20.00	LF
1725	08709	BRIDGE CHAIN LINK FENCE-7 FT	780.00	LF
1730	23981EC	PPC I-BEAM TYPE HN 42-49	375.00	LF
1735	02568	MOBILIZATION	1.00	LS
1740	02569	DEMOBILIZATION	1.00	LS
1745	02403	REMOVE CONCRETE MASONRY	55.00	CUYD
1750	04793	CONDUIT-1 1/4 IN	210.00	LF
1755	08549	BLAST CLEANING	1,421.00	SQYD
1760	20745ED	ROCK SOUNDINGS	40.00	LF
1765	20746ED	ROCK CORINGS	22.00	LF
1770	02676	MOBILIZATION FOR MILL & TEXT - Warren Co.	1.00	LS
1775	24094EC	PARTIAL DEPTH PATCHING - (ADDED: 5-17-18)	4.00	CUYD
1780	24094EC	PARTIAL DEPTH PATCHING - (ADDED: 5-17-18)	11.00	CUYD
1785	24094EC	PARTIAL DEPTH PATCHING - (ADDED: 5-17-18)	11.00	CUYD
1790	04780	FUSED CONNECTOR KIT - (ADDED: 5-17-18)	81.00	EACH
1795	00001	DGA BASE - (REVISED: 5-23-18)	40.00	TON
1800	03300	ELIMINATE TRANSVERSE JOINT - (ADDED: 5-23-18)	131.00	LF

PROPOSAL BID ITEMS

181013

Page 1 of 9

Report Date 5/23/18

Section: 0001 - PAVING

LINE	BID CODE	ALT	DESCRIPTION	QUANTITY	UNIT	UNIT PRIC	FP	AMOUNT
0010	00001		DGA BASE (REVISED: 5-23-18)	6,186.00	TON		\$	
0020	00003		CRUSHED STONE BASE	12,866.00	TON		\$	
0030	00003		CRUSHED STONE BASE SHOULDER REPAIR	147.00	TON		\$	
0040	00071		CRUSHED AGGREGATE SIZE NO 57	19.00	TON		\$	
0050	00078		CRUSHED AGGREGATE SIZE NO 2	5,213.00	TON		\$	
0060	00100		ASPHALT SEAL AGGREGATE (REVISED: 5-23-18)	620.00	TON		\$	
0070	00103		ASPHALT SEAL COAT (REVISED: 5-23-18)	83.00	TON		\$	
0080	00190		LEVELING & WEDGING PG64-22	1,388.00	TON		\$	
0090	00212		CL2 ASPH BASE 1.00D PG64-22	20,130.00	TON		\$	
0100	00212		CL2 ASPH BASE 1.00D PG64-22 SHOULDER REPAIR	222.00	TON		\$	
0110	00214		CL3 ASPH BASE 1.00D PG64-22	19,961.00	TON		\$	
0120	00214		CL3 ASPH BASE 1.00D PG64-22 SHOULDER REPAIR	24.00	TON		\$	
0130	00216		CL3 ASPH BASE 1.00D PG76-22	14,457.00	TON		\$	
0140	00216		CL3 ASPH BASE 1.00D PG76-22 SHOULDER REPAIR	12.00	TON		\$	
0150	00309		CL2 ASPH SURF 0.50D PG64-22	3,872.00	TON		\$	
0160	00309		CL2 ASPH SURF 0.50D PG64-22 SHOULDER REPAIR	29.00	TON		\$	
0170	00330		CL3 ASPH SURF 0.50A PG64-22	147.00	TON		\$	
0180	00332		CL3 ASPH SURF 0.50A PG76-22	7,250.00	TON		\$	
0190	00332		CL3 ASPH SURF 0.50A PG76-22 SHOULDER REPAIR	6.00	TON		\$	
0200	00336		CL3 ASPH SURF 0.38A PG76-22 DRIVING LANE PATCHING	372.00	TON		\$	
0210	00356		ASPHALT MATERIAL FOR TACK	115.80	TON		\$	
0220	02676		MOBILIZATION FOR MILL & TEXT Warren Co.	1.00	LS		\$	
0230	02677		ASPHALT PAVE MILLING & TEXTURING	619.00	TON		\$	
0240	22861EN		HIGH STRENGTH GEOTEXTILE FABRIC TY V	6,777.00	SQYD		\$	

Section: 0002 - ROADWAY

LINE	BID CODE	ALT	DESCRIPTION	QUANTITY	UNIT	UNIT PRIC	FP	AMOUNT
0250	00078		CRUSHED AGGREGATE SIZE NO 2	40.00	TON		\$	
0260	00212		CL2 ASPH BASE 1.00D PG64-22	967.00	TON		\$	
0270	01000		PERFORATED PIPE-4 IN	2,450.00	LF		\$	
0280	01005		PERFORATED PIPE EDGE DRAIN-4 IN	49,146.00	LF		\$	
0290	01010		NON-PERFORATED PIPE-4 IN	1,638.00	LF		\$	
0300	01015		INSPECT & CERTIFY EDGE DRAIN SYSTEM BUTLER COUNTY	1.00	LS		\$	
0310	01020		PERF PIPE HEADWALL TY 1-4 IN	4.00	EACH		\$	
0320	01028		PERF PIPE HEADWALL TY 3-4 IN	206.00	EACH		\$	
0330	01310		REMOVE PIPE	2,425.00	LF		\$	

PROPOSAL BID ITEMS

181013

Page 2 of 9

Report Date 5/23/18

LINE	BID CODE	ALT	DESCRIPTION	QUANTITY	UNIT	UNIT PRIC	FP	AMOUNT
0340	01718		REMOVE INLET	13.00	EACH		\$	
0350	01740		CORED HOLE DRAINAGE BOX CON-4 IN	4.00	EACH		\$	
0360	01890		ISLAND HEADER CURB TYPE 1	1,200.00	LF		\$	
0370	01904		REMOVE CURB	7,055.00	LF		\$	
0380	01982		DELINEATOR FOR GUARDRAIL MONO DIRECTIONAL WHITE	1,432.00	EACH		\$	
0390	01983		DELINEATOR FOR GUARDRAIL MONO DIRECTIONAL YELLOW	90.00	EACH		\$	
0400	01984		DELINEATOR FOR BARRIER - WHITE	270.00	EACH		\$	
0410	01985		DELINEATOR FOR BARRIER - YELLOW	130.00	EACH		\$	
0420	02003		RELOCATE TEMP CONC BARRIER	16,320.00	LF		\$	
0430	02014		BARRICADE-TYPE III	16.00	EACH		\$	
0440	02107		BREAKING AND SEATING PAVEMENT	70,934.00	SQYD		\$	
0450	02159		TEMP DITCH	21,643.00	LF		\$	
0460	02160		CLEAN TEMP DITCH	10,823.00	LF		\$	
0470	02165		REMOVE PAVED DITCH	2,219.00	SQYD		\$	
0480	02200		ROADWAY EXCAVATION (REVISED: 5-23-18)	21,607.00	CUYD		\$	
0490	02223		GRANULAR EMBANKMENT	200.00	CUYD		\$	
0500	02230		EMBANKMENT IN PLACE (REVISED: 5-23-18)	29,753.00	CUYD		\$	
0510	02237		DITCHING	18,040.00	LF		\$	
0520	02242		WATER	4,000.00	MGAL		\$	
0530	02352		GUARDRAIL-STEEL W BEAM-D FACE	1,175.00	LF		\$	
0540	02363		GUARDRAIL CONNECTOR TO BRIDGE END TY A	31.00	EACH		\$	
0550	02365		CRASH CUSHION TYPE IX-A	9.00	EACH		\$	
0560	02367		GUARDRAIL END TREATMENT TYPE 1	13.00	EACH		\$	
0570	02369		GUARDRAIL END TREATMENT TYPE 2A	62.00	EACH		\$	
0580	02373		GUARDRAIL END TREATMENT TYPE 3	3.00	EACH		\$	
0590	02381		REMOVE GUARDRAIL	26,180.00	LF		\$	
0600	02383		REMOVE & RESET GUARDRAIL	47,587.50	LF		\$	
0610	02387		GUARDRAIL CONNECTOR TO BRIDGE END TY A-1	13.00	EACH		\$	
0620	02396		REMOVE GUARDRAIL END TREATMENT	17.00	EACH		\$	
0630	02469		CLEAN SINKHOLE	4.00	EACH		\$	
0640	02483		CHANNEL LINING CLASS II	2,732.00	TON		\$	
0650	02545		CLEARING AND GRUBBING .058 ACRES-BUTLER COUNTY	1.00	LS		\$	
0660	02545		CLEARING AND GRUBBING 1.10 ACRES-WARREN COUNTY	1.00	LS		\$	
0670	02562		TEMPORARY SIGNS	3,792.00	SQFT		\$	
0680	02565		OBJECT MARKER TYPE 2	42.00	EACH		\$	
0690	02596		FABRIC-GEOTEXTILE TYPE I	4,381.00	SQYD		\$	
0700	02599		FABRIC-GEOTEXTILE TYPE IV	6,599.00	SQYD		\$	
0710	02600		FABRIC GEOTEXTILE TY IV FOR PIPE	274.00	SQYD	\$2.00	\$	\$548.00
0720	02625		REMOVE HEADWALL	11.00	EACH		\$	
0730	02650		MAINTAIN & CONTROL TRAFFIC BUTLER COUNTY	1.00	LS		\$	
0740	02650		MAINTAIN & CONTROL TRAFFIC WARREN COUNTY	1.00	LS		\$	
0750	02671		PORTABLE CHANGEABLE MESSAGE SIGN	8.00	EACH		\$	

PROPOSAL BID ITEMS

REVISED ADDENDUM #2: 5-23-18

181013

Page 3 of 9

Report Date 5/23/18

LINE	BID CODE	ALT	DESCRIPTION	QUANTITY	UNIT	UNIT PRIC	FP	AMOUNT
0760	02676		MOBILIZATION FOR MILL & TEXT BUTLER COUNTY	1.00	LS		\$	
0770	02678		SCARIFYING PAVEMENT	36,712.00	SQYD		\$	
0780	02690		SAFELOADING	2.00	CUYD		\$	
0790	02696		SHOULDER RUMBLE STRIPS	62,671.00	LF		\$	
0800	02701		TEMP SILT FENCE	21,643.00	LF		\$	
0810	02703		SILT TRAP TYPE A	23.00	EACH		\$	
0820	02704		SILT TRAP TYPE B	23.00	EACH		\$	
0830	02705		SILT TRAP TYPE C	23.00	EACH		\$	
0840	02706		CLEAN SILT TRAP TYPE A	23.00	EACH		\$	
0850	02707		CLEAN SILT TRAP TYPE B	23.00	EACH		\$	
0860	02708		CLEAN SILT TRAP TYPE C	23.00	EACH		\$	
0870	02714		SHOULDERING	9,888.00	LF		\$	
0880	02726		STAKING BUTLER COUNTY	1.00	LS		\$	
0890	02726		STAKING WARREN COUNTY	1.00	LS		\$	
0900	02775		ARROW PANEL	6.00	EACH		\$	
0910	02898		RELOCATE CRASH CUSHION	9.00	EACH		\$	
0920	02929		CRASH CUSHION TYPE IX	1.00	EACH		\$	
0930	03171		CONCRETE BARRIER WALL TYPE 9T	8,100.00	LF		\$	
0935	03262		CLEAN PIPE STRUCTURE (ADDED: 5-17-18)	4.00	EACH		\$	
0940	05950		EROSION CONTROL BLANKET	91,776.00	SQYD		\$	
0950	05952		TEMP MULCH	61,184.00	SQYD		\$	
0960	05953		TEMP SEEDING AND PROTECTION	45,889.00	SQYD		\$	
0970	05963		INITIAL FERTILIZER	9.90	TON		\$	
0980	05964		20-10-10 FERTILIZER	5.30	TON		\$	
0990	05985		SEEDING AND PROTECTION	48,648.00	SQYD		\$	
1000	05992		AGRICULTURAL LIMESTONE	60.00	TON		\$	
1010	06401		FLEXIBLE DELINEATOR POST-M/W	40.00	EACH		\$	
1020	06404		FLEXIBLE DELINEATOR POST-M/Y	32.00	EACH		\$	
1030	06511		PAVE STRIPING-TEMP PAINT-6 IN	154,000.00	LF		\$	
1040	06514		PAVE STRIPING-PERM PAINT-4 IN	1,459.00	LF		\$	
1050	06517		PAVE STRIPING-PERM PAINT-12 IN	3,970.00	LF		\$	
1060	06542		PAVE STRIPING-THERMO-6 IN W	75,791.00	LF		\$	
1070	06543		PAVE STRIPING-THERMO-6 IN Y	34,928.00	LF		\$	
1080	06546		PAVE STRIPING-THERMO-12 IN W	999.00	LF		\$	
1090	06549		PAVE STRIPING-TEMP REM TAPE-B	10,340.00	LF		\$	
1100	06550		PAVE STRIPING-TEMP REM TAPE-W	92,700.00	LF		\$	
1110	06551		PAVE STRIPING-TEMP REM TAPE-Y	41,400.00	LF		\$	
1120	06568		PAVE MARKING-THERMO STOP BAR-24IN	96.00	LF		\$	
1130	08002		STRUCTURE EXCAV-SOLID ROCK (REVISED: 5-23-18)	13,937.00	CUYD		\$	
1140	08903		CRASH CUSHION TY VI CLASS BT TL3	8.00	EACH		\$	
1150	10020NS		FUEL ADJUSTMENT	104,027.00	DOLL	\$1.00	\$	\$104,027.00
1160	10030NS		ASPHALT ADJUSTMENT	270,807.00	DOLL	\$1.00	\$	\$270,807.00
1170	20071EC		JOINT ADHESIVE	58,110.00	LF		\$	
1180	20366NN		REPLACE GRATE	2.00	EACH		\$	
1190	20411ED		LAW ENFORCEMENT OFFICER	2,560.00	HOURL		\$	
1200	20418ED		REMOVE & RELOCATE SIGNS	13.00	EACH		\$	

PROPOSAL BID ITEMS

181013

Page 4 of 9

Report Date 5/23/18

LINE	BID CODE	ALT	DESCRIPTION	QUANTITY	UNIT	UNIT PRIC	FP	AMOUNT
1210	20432ES112		REMOVE CRASH CUSHION	4.00	EACH		\$	
1220	20597EC		DITCH EXCAVATION	101.00	CUYD		\$	
1230	20904ED		RECONSTRUCT CURB BOX INLET	6.00	EACH		\$	
1240	21289ED		LONGITUDINAL EDGE KEY	2,275.00	LF		\$	
1250	21802EN		G/R STEEL W BEAM-S FACE (7 FT POST)	25,762.50	LF		\$	
1260	22883EN		CONCRETE WEDGE CURB	26,069.00	LF		\$	
1270	23496EC		MEDIAN CROSSOVER REMOVAL AROUND MP 35.4	1.00	EACH		\$	
1280	23496EC		MEDIAN CROSSOVER REMOVAL MEDIAN TURN-AROUND MP 3.6	1.00	EACH		\$	
1290	23496EC		MEDIAN CROSSOVER REMOVAL MP 34.2	1.00	EACH		\$	
1300	24096EC		REMOVE AND RESET END TREATMENT	36.00	EACH		\$	
1310	24489EC		INLAID PAVEMENT MARKER	378.00	EACH		\$	
1320	24605ED		RELOCATE MEDIAN TURN-AROUND MP 14.8	1.00	EACH		\$	
1330	24605ED		RELOCATE MEDIAN TURN-AROUND MP 20	1.00	EACH		\$	
1340	24605ED		RELOCATE MEDIAN TURN-AROUND MP 34.2	1.00	EACH		\$	
1350	24605ED		RELOCATE MEDIAN TURN-AROUND MP 9.9	1.00	EACH		\$	
1360	24654ED		SINGLE SLOPE MEDIAN BARRIER @ GREEN RIVER BRIDGE	200.00	LF		\$	
1370	24979ED		REGRADE MEDIAN TURN-AROUND MP 25.4	2.00	EACH		\$	
1380	24980ED		ADJUST CRASH WALL HEIGHT @ EXIT 36 BRIDGE	1.00	L S		\$	
1390	40024		ASPHALT PAVEMENT REMOVAL(ALL DEPTHS)	3,334.00	SQYD		\$	

Section: 0003 - DRAINAGE

LINE	BID CODE	ALT	DESCRIPTION	QUANTITY	UNIT	UNIT PRIC	FP	AMOUNT
1400	00461		CULVERT PIPE-15 IN	29.00	LF		\$	
1410	00462		CULVERT PIPE-18 IN	577.00	LF		\$	
1420	00521		STORM SEWER PIPE-15 IN	9.00	LF		\$	
1430	00522		STORM SEWER PIPE-18 IN	45.00	LF		\$	
1440	01202		PIPE CULVERT HEADWALL-15 IN	2.00	EACH		\$	
1450	01204		PIPE CULVERT HEADWALL-18 IN	1.00	EACH		\$	
1460	01208		PIPE CULVERT HEADWALL-24 IN	1.00	EACH		\$	
1470	01371		METAL END SECTION TY 1-18 IN	2.00	EACH		\$	
1480	01381		METAL END SECTION TY 2-18 IN	1.00	EACH		\$	
1490	01450		S & F BOX INLET-OUTLET-18 IN	7.00	EACH		\$	
1500	01480		CURB BOX INLET TYPE B	2.00	EACH		\$	
1510	01541		DROP BOX INLET TYPE 10	1.00	EACH		\$	
1520	01559		DROP BOX INLET TYPE 13G	1.00	EACH		\$	
1530	01584		CAP DROP BOX INLET	1.00	EACH		\$	
1540	01690		FLUME INLET TYPE 1	10.00	EACH		\$	
1550	01691		FLUME INLET TYPE 2	26.00	EACH		\$	
1560	23148EN		END ANCHORS	3.00	EACH		\$	

PROPOSAL BID ITEMS

181013

Page 5 of 9

Report Date 5/23/18

Section: 0004 - BRIDGE- 016B00057L

LINE	BID CODE	ALT	DESCRIPTION	QUANTITY	UNIT	UNIT PRIC	FP	AMOUNT
1570	02998		MASONRY COATING	225.00	SQYD		\$	
1580	08504		EPOXY SAND SLURRY	97.00	SQYD		\$	
1590	08549		BLAST CLEANING	97.00	SQYD		\$	
1600	23032EN		BRIDGE BARRIER RETROFIT	502.00	LF		\$	

Section: 0005 - BRIDGE- 114B00051L

LINE	BID CODE	ALT	DESCRIPTION	QUANTITY	UNIT	UNIT PRIC	FP	AMOUNT
1610	02998		MASONRY COATING	200.00	SQYD		\$	
1620	08504		EPOXY SAND SLURRY	87.00	SQYD		\$	
1630	08549		BLAST CLEANING	87.00	SQYD		\$	
1640	23032EN		BRIDGE BARRIER RETROFIT	449.00	LF		\$	

Section: 0006 - BRIDGE- 016B00057R

LINE	BID CODE	ALT	DESCRIPTION	QUANTITY	UNIT	UNIT PRIC	FP	AMOUNT
1650	02998		MASONRY COATING	225.00	SQYD		\$	
1660	08504		EPOXY SAND SLURRY	97.00	SQYD		\$	
1670	08549		BLAST CLEANING	97.00	SQYD		\$	
1680	23032EN		BRIDGE BARRIER RETROFIT	502.00	LF		\$	

Section: 0007 - BRIDGE- 114B00051R

LINE	BID CODE	ALT	DESCRIPTION	QUANTITY	UNIT	UNIT PRIC	FP	AMOUNT
1690	02998		MASONRY COATING	200.00	SQYD		\$	
1700	08504		EPOXY SAND SLURRY	87.00	SQYD		\$	
1710	08549		BLAST CLEANING	87.00	SQYD		\$	
1720	23032EN		BRIDGE BARRIER RETROFIT	449.00	LF		\$	

Section: 0008 - BRIDGE-CULVERT- 016B00058N

LINE	BID CODE	ALT	DESCRIPTION	QUANTITY	UNIT	UNIT PRIC	FP	AMOUNT
1730	08003		FOUNDATION PREPARATION BUTLER COUNTY	1.00	LS		\$	
1740	08100		CONCRETE-CLASS A	20.00	CUYD		\$	
1750	08150		STEEL REINFORCEMENT	447.00	LB		\$	
1760	08410		LOW FLOW DIVERSION CURB BUTLER COUNTY	1.00	LS		\$	
1770	22146EN		CONCRETE PATCHING REPAIR	80.00	SQFT		\$	

Section: 0009 - BRIDGE- 114B00051R

PROPOSAL BID ITEMS

181013

Page 6 of 9

Report Date 5/23/18

Section: 0009 - BRIDGE- 114B00052L

LINE	BID CODE	ALT	DESCRIPTION	QUANTITY	UNIT	UNIT PRIC	FP	AMOUNT
1780	02998		MASONRY COATING	193.00	SQYD		\$	
1790	08504		EPOXY SAND SLURRY	83.00	SQYD		\$	
1800	08549		BLAST CLEANING	83.00	SQYD		\$	
1810	23032EN		BRIDGE BARRIER RETROFIT	431.00	LF		\$	

Section: 0010 - BRIDGE- 016B00061N

LINE	BID CODE	ALT	DESCRIPTION	QUANTITY	UNIT	UNIT PRIC	FP	AMOUNT
1820	02998		MASONRY COATING	1,338.00	SQYD		\$	
1830	08504		EPOXY SAND SLURRY	648.00	SQYD		\$	
1840	08549		BLAST CLEANING	648.00	SQYD		\$	
1850	23032EN		BRIDGE BARRIER RETROFIT	2,462.00	LF		\$	

Section: 0011 - BRIDGE-114B00052R

LINE	BID CODE	ALT	DESCRIPTION	QUANTITY	UNIT	UNIT PRIC	FP	AMOUNT
1860	02998		MASONRY COATING	97.00	SQYD		\$	
1870	08504		EPOXY SAND SLURRY	42.00	SQYD		\$	
1880	08549		BLAST CLEANING	42.00	SQYD		\$	
1890	23032EN		BRIDGE BARRIER RETROFIT	216.00	LF		\$	

Section: 0012 - BRIDGE- 114B00053L

LINE	BID CODE	ALT	DESCRIPTION	QUANTITY	UNIT	UNIT PRIC	FP	AMOUNT
1900	02998		MASONRY COATING	220.00	SQYD		\$	
1910	03298		EXPAN JOINT REPLACE 4 IN	67.00	LF		\$	
1920	03299		ARMORED EDGE FOR CONCRETE	67.00	LF		\$	
1930	03304		BRIDGE OVERLAY APPROACH PAVEMENT	667.00	SQYD		\$	
1940	08150		STEEL REINFORCEMENT	267.00	LB		\$	
1950	08504		EPOXY SAND SLURRY	96.00	SQYD		\$	
1960	08526		CONC CLASS M FULL DEPTH PATCH	7.00	CUYD		\$	
1970	08534		CONCRETE OVERLAY-LATEX	41.30	CUYD		\$	
1980	08549		BLAST CLEANING	744.00	SQYD		\$	
1990	08551		MACHINE PREP OF SLAB	744.00	SQYD		\$	
2000	23032EN		BRIDGE BARRIER RETROFIT	494.00	LF		\$	
2005	24094EC		PARTIAL DEPTH PATCHING (ADDED: 5-17-18)	11.00	CUYD		\$	

Section: 0013 - BRIDGE- 114B00053R

LINE	BID CODE	ALT	DESCRIPTION	QUANTITY	UNIT	UNIT PRIC	FP	AMOUNT
2010	02998		MASONRY COATING	220.00	SQYD		\$	
2020	03298		EXPAN JOINT REPLACE 4 IN	67.00	LF		\$	
2030	03299		ARMORED EDGE FOR CONCRETE	67.00	LF		\$	

PROPOSAL BID ITEMS

181013

Page 7 of 9

Report Date 5/23/18

LINE	BID CODE	ALT	DESCRIPTION	QUANTITY	UNIT	UNIT PRIC	FP	AMOUNT
2040	03304		BRIDGE OVERLAY APPROACH PAVEMENT	667.00	SQYD		\$	
2050	08150		STEEL REINFORCEMENT	267.00	LB		\$	
2060	08504		EPOXY SAND SLURRY	96.00	SQYD		\$	
2070	08526		CONC CLASS M FULL DEPTH PATCH	7.00	CUYD		\$	
2080	08534		CONCRETE OVERLAY-LATEX	41.30	CUYD		\$	
2090	08549		BLAST CLEANING	744.00	SQYD		\$	
2100	08551		MACHINE PREP OF SLAB	744.00	SQYD		\$	
2110	23032EN		BRIDGE BARRIER RETROFIT	494.00	LF		\$	
2115	24094EC		PARTIAL DEPTH PATCHING (ADDED: 5-17-18)	11.00	CUYD		\$	

Section: 0014 - BRIDGE- 114B00054L

LINE	BID CODE	ALT	DESCRIPTION	QUANTITY	UNIT	UNIT PRIC	FP	AMOUNT
2120	02998		MASONRY COATING	253.00	SQYD		\$	
2130	08504		EPOXY SAND SLURRY	112.00	SQYD		\$	
2140	08549		BLAST CLEANING	112.00	SQYD		\$	
2150	23032EN		BRIDGE BARRIER RETROFIT	569.00	LF		\$	

Section: 0015 - BRIDGE- 114B00054R

LINE	BID CODE	ALT	DESCRIPTION	QUANTITY	UNIT	UNIT PRIC	FP	AMOUNT
2160	02998		MASONRY COATING	253.00	SQYD		\$	
2170	08504		EPOXY SAND SLURRY	112.00	SQYD		\$	
2180	08549		BLAST CLEANING	112.00	SQYD		\$	
2190	23032EN		BRIDGE BARRIER RETROFIT	569.00	LF		\$	

Section: 0016 - BRIDGE- OVER CSX RAILROAD

LINE	BID CODE	ALT	DESCRIPTION	QUANTITY	UNIT	UNIT PRIC	FP	AMOUNT
1815	24094EC		PARTIAL DEPTH PATCHING (ADDED: 5-17-18)	4.00	CUYD		\$	
2210	02231		STRUCTURE GRANULAR BACKFILL	78.00	CUYD		\$	
2220	02403		REMOVE CONCRETE MASONRY	55.00	CUYD		\$	
2230	02998		MASONRY COATING	220.00	SQYD		\$	
2250	03299		ARMORED EDGE FOR CONCRETE	32.00	LF		\$	
2251	03300		ELIMINATE TRANSVERSE JOINT (ADDED: 5-23-18)	131.00	LF		\$	
2260	04793		CONDUIT-1 1/4 IN	210.00	LF		\$	
2270	08001		STRUCTURE EXCAVATION-COMMON	185.00	CUYD		\$	
2280	08016		REINF CONC SLOPE WALL-6 IN	170.00	SQYD		\$	
2290	08033		TEST PILES	92.00	LF		\$	
2300	08046		PILES-STEEL HP12X53	255.00	LF		\$	
2310	08094		PILE POINTS-12 IN (REVISED: 5-23-18)	8.00	EACH		\$	
2320	08100		CONCRETE-CLASS A	200.30	CUYD		\$	
2330	08104		CONCRETE-CLASS AA	117.70	CUYD		\$	

PROPOSAL BID ITEMS

181013

Page 8 of 9

Report Date 5/23/18

LINE	BID CODE	ALT	DESCRIPTION	QUANTITY	UNIT	UNIT PRIC	FP	AMOUNT
2340	08150		STEEL REINFORCEMENT (REVISED: 5-17-18)	11,457.00	LB		\$	
2350	08151		STEEL REINFORCEMENT-EPOXY COATED	27,688.00	LB		\$	
2360	08504		EPOXY SAND SLURRY (REVISED: 5-23-18)	160.00	SQYD		\$	
2370	08526		CONC CLASS M FULL DEPTH PATCH	3.00	CUYD		\$	
2380	08534		CONCRETE OVERLAY-LATEX	46.00	CUYD		\$	
2390	08549		BLAST CLEANING	1,421.00	SQYD		\$	
2400	08551		MACHINE PREP OF SLAB	1,381.00	SQYD		\$	
2410	08709		BRIDGE CHAIN LINK FENCE-7 FT	780.00	LF		\$	
2420	20637ED		DRILLED SHAFT-ROCK 48 IN	20.00	LF		\$	
2430	20745ED		ROCK SOUNDINGS	40.00	LF		\$	
2440	20746ED		ROCK CORINGS	22.00	LF		\$	
2450	21532ED		RAIL SYSTEM TYPE III	195.00	LF		\$	
2460	21777EN		DRILLED SHAFT COMMON-54 IN (REVISED: 5-17-18)	44.90	LF		\$	
2470	23981EC		PPC I-BEAM TYPE HN 42-49	375.00	LF		\$	

Section: 0017 - LIGHTING

LINE	BID CODE	ALT	DESCRIPTION	QUANTITY	UNIT	UNIT PRIC	FP	AMOUNT
2480	04701		POLE 40 FT MTG HT	1.00	EACH		\$	
2490	04725		BRACKET 15 FT	1.00	EACH		\$	
2500	04740		POLE BASE	1.00	EACH		\$	
2510	04750		TRANSFORMER BASE	1.00	EACH		\$	
2515	04780		FUSED CONNECTOR KIT (ADDED: 5-17-18)	3.00	EACH		\$	
2520	04793		CONDUIT-1 1/4 IN	515.00	LF		\$	
2530	04820		TRENCHING AND BACKFILLING	515.00	LF		\$	
2540	04833		WIRE-NO. 8	1,030.00	LF		\$	
2550	20391NS835		ELECTRICAL JUNCTION BOX TYPE A	1.00	EACH		\$	
2560	20410ED		MAINTAIN LIGHTING (BUTLER COUNTY)	1.00	LS		\$	
2570	24589ED		LED LUMINAIRE	31.00	EACH		\$	

Section: 0018 - LIGHTING

LINE	BID CODE	ALT	DESCRIPTION	QUANTITY	UNIT	UNIT PRIC	FP	AMOUNT
2580	04700		POLE 30 FT MTG HT	36.00	EACH		\$	
2590	04720		BRACKET 4 FT	3.00	EACH		\$	
2600	04721		BRACKET 6 FT	2.00	EACH		\$	
2610	04724		BRACKET 12 FT	27.00	EACH		\$	
2620	04725		BRACKET 15 FT	4.00	EACH		\$	
2630	04740		POLE BASE	35.00	EACH		\$	
2640	04750		TRANSFORMER BASE	35.00	EACH		\$	
2645	04780		FUSED CONNECTOR KIT (ADDED: 5-17-18)	81.00	EACH		\$	
2650	04793		CONDUIT-1 1/4 IN	7,910.00	LF		\$	
2660	04820		TRENCHING AND BACKFILLING	7,795.00	LF		\$	

PROPOSAL BID ITEMS

Page 9 of 9

Report Date 5/23/18

LINE	BID CODE	ALT	DESCRIPTION	QUANTITY	UNIT	UNIT PRIC	FP	AMOUNT
2670	04834		WIRE-NO. 6	15,820.00	LF		\$	
2680	20391NS835		ELECTRICAL JUNCTION BOX TYPE A	11.00	EACH		\$	
2690	20410ED		MAINTAIN LIGHTING WARREN COUNTY	1.00	LS		\$	
2700	24589ED		LED LUMINAIRE	291.00	EACH		\$	

Section: 0019 - MOBILIZATION AND DEMOBILIZATION

LINE	BID CODE	ALT	DESCRIPTION	QUANTITY	UNIT	UNIT PRIC	FP	AMOUNT
2710	02568		MOBILIZATION	1.00	LS		\$	
2720	02569		DEMOBILIZATION	1.00	LS		\$	